



Outdoor multiband amplifier 12÷15V broadband inputs Fusion Smart FCE series

art. 24-819 FCE40 V+U



Outdoor multiband amplifier with broadband inputs, indicated medium/large size TV systems.

This amplifier is designed to optimize the amplification of DTT signals in the range E05÷E12+E21÷E48, attenuating the 700 MHz band without preventing the proper functioning of the channel E48.

Ideal in case of signal fluctuation thanks to the Automatic Gain Control on UHF band which allows to maintain constant the output level.

Selector for setting the maximum UHF band output level: 114 or 124 dB μ V.

Equipped with a single V+U input for the amplification of VHF and UHF bands.

The input is equipped with two trimmers for the gain adjustment, one for the VHF band (0÷20 dB) and another for the UHF band (0÷15 dB) and a switch to enable remote power supply.

Fully shielded die-casting metal housing with screw F-type connectors and tilting mechanism for an easy cable connection. Sturdy waterproof case in ABS plastic with housing for the insertion of cables. Fixing accessory suitable for masts up to \varnothing 60 mm included.

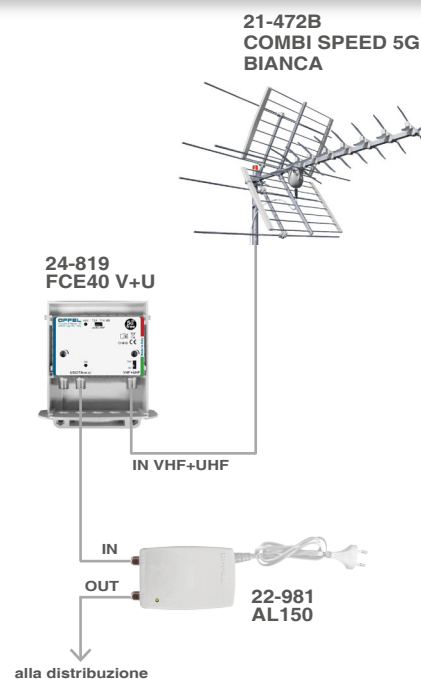
Characteristics

- Automatic Gain Control (AGC) on UHF band
- Switch for setting the maximum output level in the UHF band 114 or 124 dB μ V
- High output level
- Separate amplification for VHF and UHF bands
- Components with a high quality standard

Code	24-819	
Item	FCE40 V+U	
No. of inputs	1	
No. of adjustments	2	
VHF band noise figure	dB	7
UHF band noise figure	dB	5
VHF band max output level*	dB μ V	117
UHF band max output level*	dB μ V	114 o 124
VHF band max gain	dB \pm 2	30
UHF band max gain	dB \pm 2	40
AGC range	dB	20
Absorbed current	mA	140
Supply voltage	Vdc	12÷15
Dimensions (LxWxH)	mm	132x55x107
Packaging dimensions (LxWxH)	mm	115x55x135
Packaging weight	Kg	0,345
Fit temperature	$^{\circ}$ C	0 ÷ +55
Compliant to EU directives	2014/53/UE, 2011/65/UE	

* Maximum output level measured with the method IM3 -35dBc 2 tones.
Technical data refer to a temperature of 25 $^{\circ}$ C

Example of application



Rev. 1 09.2022

