



Optical boxes for wall mounting of optical components

art. 19-452 FO-QDSA

Optical box to be used as a QDSA (Apartment Signal Distribution Case) in multi-fiber building systems, as required by Law 164/2014.

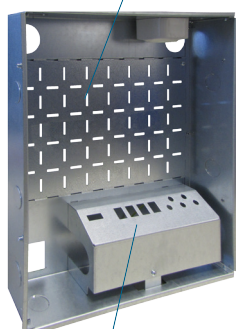
It is located inside each housing unit, it is a technical space in which the various signal distribution devices are installed.

In fact, the box is equipped with a pre-fabricated backplate with holes to easily fix devices, ideal for example for the installation of:

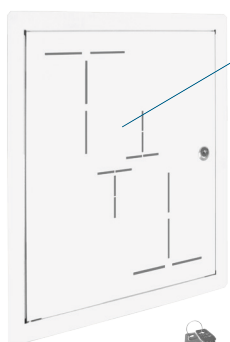
- Collection box of apartment optical services (art. 19-455 FO-STOA)
- Optical receivers
- Multiswitches
- TV-SAT splitters
- TV amplifiers
- Electric power supplies units
- Telephone splitters
- Modem routers
- Copper permutation panels with RJ45 sockets

It is a built-in panel made of steel, for the distribution of fiber optic signals inside the dwelling.

pre-fabricated backplate
with holes to easily fix devices

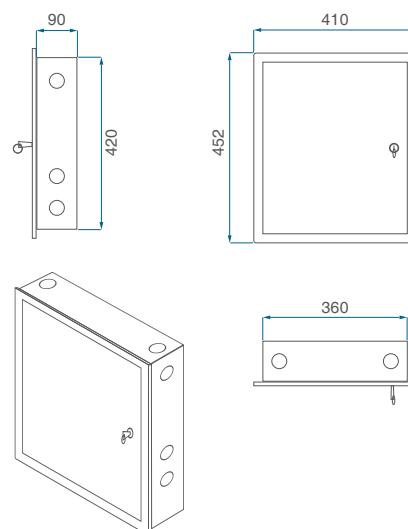


Patch panel
4 Keystone Jack sockets
(not included)



Reversible door
with special vents
that let through
Wi-Fi signals

Universal lock protecting
against access by children



Code	19-452	
Item	FO-QDSA	
Dimensions (LxWxH)	mm	452 x 92 x 410
Material	Steel	
Color	White	
Port	Reversible, made in steel	
Top side cable entry	no. 2 ø 30 mm	
Bottom side cable entry	no. 2 ø 30 mm + no. 1 50x55 mm	
Side walls cable entry	no. 3 ø 30 mm	

Rev. 1 06.2021

