

## Optical MUX

FO series

### art. 19-008A FO-WDM SC/APC

Singlemode optical coupler ideal for:

- mixing two optical signals that use two different work windows (1310 and 1550 nm) into a single signal, transmitted on a single cable;

or

- demixing an optical signal into two separate signals, at 1310 nm and 1550 nm.

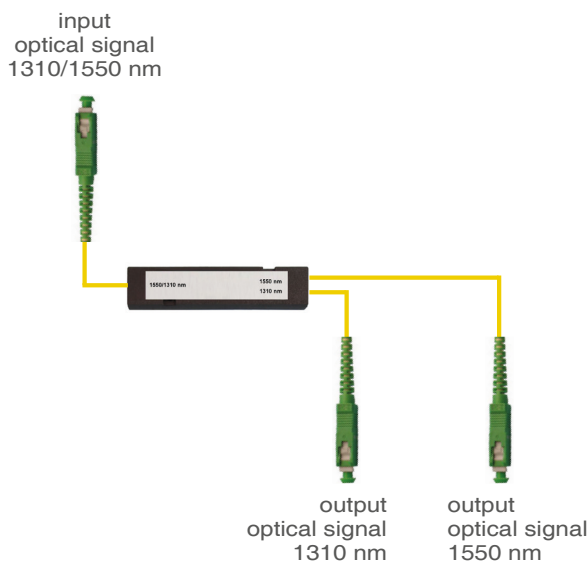
It is equipped with three connectors:

- a SC/APC connector, for the signal in the second working window (1310 nm);
- a SC/APC connector, for the signal in the third working window (1550 nm);
- a SC/APC connector, for the mixed signal (1310+1550 nm).



Code	19-008A	
tem	FO-WDM SC/APC	
Throughpass loss @ 1550 nm	dB	0,1
Throughpass loss @ 1310 nm	dB	0,1
Outputs isolation @ 1550 nm	dB	27
Outputs isolation @ 1310 nm	dB	25
Patch cord length	m	1
Type of fibre optic for wiring	single mode 9/125	
Dimensions	mm	90x10x20
Packaging dimensions	mm	270x165x20
Weight	Kg	0,95
Compliant to	EN 50083-2, EN 60065	

#### Demixing:



#### Mixing:

