



Bent masts

L 2 m

art. 07-807

PALO CURVO mt. 2 Ø 50 mm SP. 2 mm DISTANZIATO RINFORZATO

It is used for pass through roof installation and the cable passage.

The tubes are made of steel, hot dip galvanized to ensure high quality and durability. The protection of the zinc cladding is of 50/85 microns thick.

The measures are in mm, unless otherwise specified.

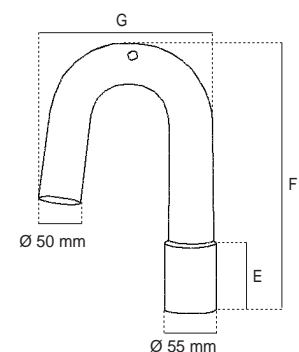
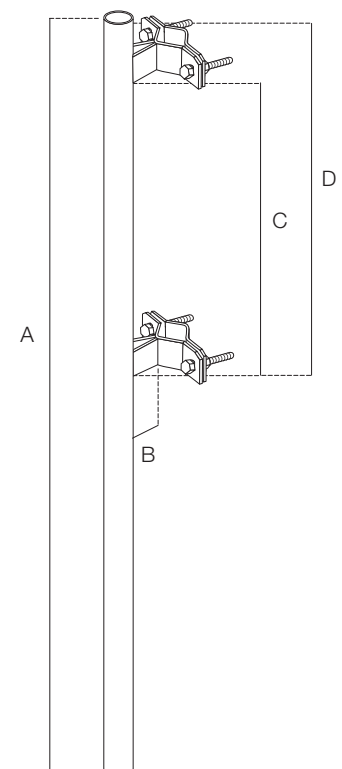
Dimensional and thickness tolerances are allowed by the regulations that establish the quality of the raw materials used.



Code	07-807	
Item	PALO CURVO mt. 2 Ø 50 mm SP. 2 mm DISTANZIATO RINFORZATO	
POLE		
Ø	mm	50
Thickness	mm	2
Length	m	2 (A)
FIXING PLATES		
Distances	mm	500 (C); 630 (D)
Dimensions	mm	35x6
Thickness	mm	3,5
For masts Ø	mm	30 ÷ 60
Screws		10x60 mm
SPACER		
Length	mm	50 (B)
Height	mm	35
Thickness	mm	6
BENT		
Type of bent		removable
Bending radius		180°
Ø	mm	50 (with connection of Ø 55)
Thickness	mm	1,4
Dimensions	mm	60 (E); 330 (F); 240 (G)

Single packaging (mast and bent are packaged separately)

Packaging	Dimensions LxWxH (mm)	Weight (Kg)
Mast	94x80x2000	7,4
Bent	235x350x130	1,0



Rev. 0 12.2016

