



Balcony brackets

art. 07-679 SUPPORTO RINGHIERA CURVO 46 cm

Ideal for the installation of satellite dishes to the mast (U-bolts are included) or to the wall.

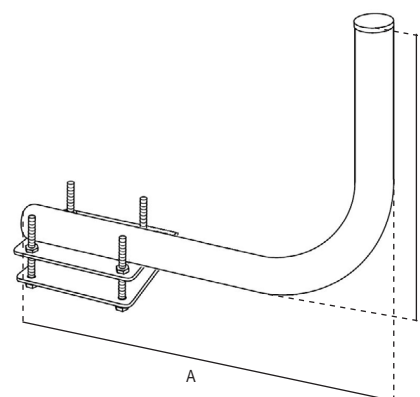
The tubes are made of steel, hot dip galvanized to ensure high quality and durability. The protection of the zinc cladding is of 50/85 microns thick.

The measures are in mm, unless otherwise specified.

Dimensional and thickness tolerances are allowed by the regulations that establish the quality of the raw materials used.



Code	07-679	
Item	SUPPORTO RINGHIERA CURVO 46 cm	
MAST		
Thickness	mm	1,4
Ø	mm	40
Dimensions	mm	460 (A); 310 (B)
FIXING PLATE		
Dimensions	mm	120; 80
Thickness	mm	5
No. fixing holes	mm	4
Ø fixing holes	mm	9
COUNTERPLATE		
Dimensions	mm	120; 80
Thickness	mm	5
Screws	M 8x85 mm	



Single packaging

Packaging	Dimensions LxWxH (mm)	Weight (Kg)
Bracket	310x100x460	1,6

