



## Emilia Wall Brackets

economical

**art. 07-627**

**ZANCA ECONOMICA PARI MURO**

Ideal for fixing masts used in the antennas and dishes installation.

Equipped with welded plate on the base with two holes for wall mounting using anchor bolts or threaded rods.

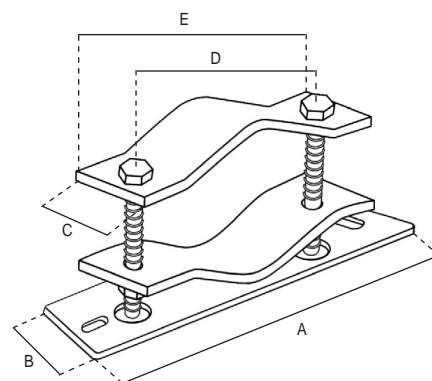
The tubes are made of steel, electrolytically galvanized.

The measures are in mm, unless otherwise specified.

Dimensional and thickness tolerances are allowed by the regulations that establish the quality of the raw materials used.



Code	07-627	
Item	ZANCA ECONOMICA PARI MURO	
<b>PLATE</b>		
Thickness	mm	4
Length	mm	170 (A)
Width	mm	40 (B)
<b>FIXING HOLES</b>		
N.	2	
Dimensions	mm	15x10
<b>U-BOLTS</b>		
Length	mm	125 (E)
Width	mm	40 (C)
Thickness	mm	4
For masts Ø	mm	25 ÷ 60
Screws	QST M8x60 mm	
Distance between screws holes	mm	95 (D)



### Single packaging

Packaging	Dimensions LxWxH (mm)	Weight (Kg)
Bracket	170x40x40	0,54

