



Emilia Wall Brackets

economical

art. 07-626

ZANCA ECONOMICA 10 cm

Ideal for fixing masts used in the antennas and dishes installation.

Equipped with welded plate on the base with two holes for wall mounting using anchor bolts or threaded rods.

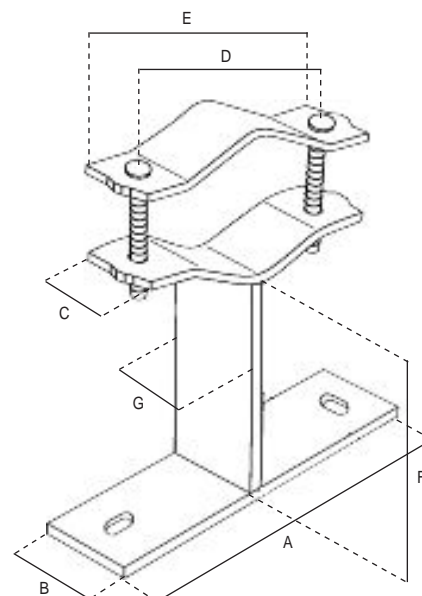
The tubes are made of steel, hot dip galvanized to ensure high quality and durability. The protection of the zinc cladding is of 50/85 microns thick.

The measures are in mm, unless otherwise specified.

Dimensional and thickness tolerances are allowed by the regulations that establish the quality of the raw materials used.



Code	07-626	
Item	ZANCA ECONOMICA 10 cm	
SUPPORT		
Height	cm	10 (F)
Width	mm	40 (G)
Thickness	mm	8
PLATE		
Thickness	mm	4
Lenght	mm	170 (A)
Width	mm	40 (B)
FIXING HOLES		
No.		2
Dimensions	mm	15x10
U-BOLTS		
Lenght	mm	125 (E)
Width	mm	40 (C)
Thickness	mm	4
For masts Ø	mm	25 ÷ 60
Screws		QST M8x60 mm
Distance between screws holes	mm	95 (D)



Single packaging

Packaging	Dimensions LxWxH (mm)	Weight (Kg)
Bracket	170x40x40	0,83

