



## Emilia Wall Brackets

super heavy

**art. 07-623/A**

**ZANCA TUBOLARE 7/12**

Ideal for fixing masts used in the antennas and dishes installation.

Equipped with welded plate on the base with two holes for wall mounting using anchor bolts or threaded rods.

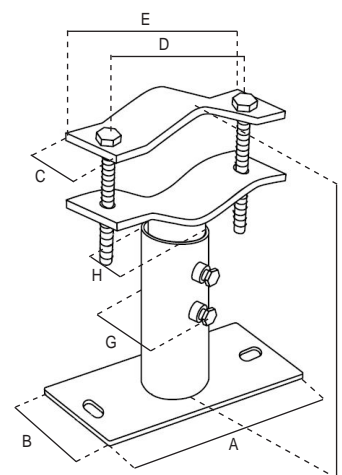
The tubes are made of steel, hot dip galvanized to ensure high quality and durability. The protection of the zinc cladding is of 50/85 microns thick.

The measures are in mm, unless otherwise specified.

Dimensional and thickness tolerances are allowed by the regulations that establish the quality of the raw materials used.



Code	07-623/A	
Item	ZANCA TUBOLARE 7/12	
<b>POLE</b>		
Height	cm	7 ÷ 12 (F)
Ø internal tube	mm	50 (G)
Internal tube thickness	mm	2
Ø external tube	mm	42 (H)
External tube thickness	mm	2
<b>PLATE</b>		
Thickness	mm	4
Length	mm	200 (A)
Width	mm	70 (B)
<b>FIXING HOLES</b>		
No.	2	
Dimensions	mm	20x14
<b>U-BOLTS</b>		
Length	mm	170 (E)
Width	mm	40 (C)
Thickness	mm	8
For masts Ø	mm	40 ÷ 70
Screws	M10x70 mm	
Distance between screws holes	mm	140 (D)



### Single packaging

Packaging	Dimensions LxWxH (mm)	Weight (Kg)
Bracket	200x70x210	1,5

