

Emilia Wall Brackets

super heavy

art. 07-623Q

ZANCA QUADRATA 15/22

Bracket with adjustable height (15 to 22 cm).
 Ideal for fixing masts used in the antennas and dishes installation.

Equipped with welded plate on the base with four holes for wall mounting using anchor bolts or threaded rods.

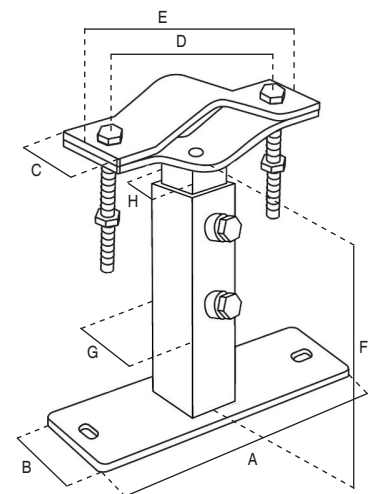
The tubes are made of steel, hot dip galvanized to ensure high quality and durability.
 The protection of the zinc cladding is of 50/85 microns thick.

The measures are in mm, unless otherwise specified.

Dimensional and thickness tolerances are allowed by the regulations that establish the quality of the raw materials used.



Code	07-623Q	
Item	ZANCA TELESCOPICA QUADRATA cm. 15/22	
SQUARE POLE		
Height	cm	15 ÷ 22 (F)
Internal tube side	mm	40 (G)
Internal tube thickness	mm	3
External tube side	mm	30 (H)
External tube thickness	mm	3
PLATE		
Thickness	mm	5
Length	mm	200 (A)
Width	mm	70 (B)
FIXING HOLES		
No.	2	
Ø	mm	20x14
U-BOLTS		
Length	mm	170 (E)
Width	mm	40 (C)
Thickness	mm	8
For masts Ø	mm	40 ÷ 90
Screws	M10x90 mm	
Distance between screws holes	mm	140 (D)



Packaging

Package	No. pieces	Dimensions LxWxH (mm)	Weight (Kg)
Single pack	1	220x205x70	2,4
Multi-pack	10	425x325x205	24,6

