



Expansion brackets

of full rod, reinforced

art. 07-614

**ZANCA ESPANSIONE
RINFORZATA 10 cm**

Equipped with anchor bolt, indicated for fixing masts used for antennas and satellite dishes installation.

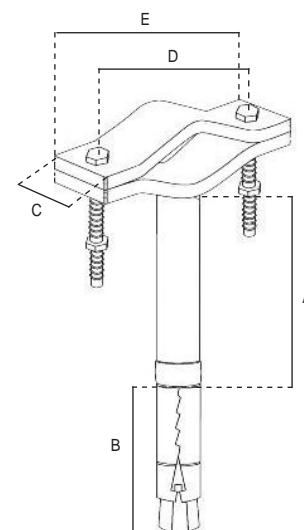
The tubes are made of steel, electrolytically galvanized.

The measures are in mm, unless otherwise specified.

Dimensional and thickness tolerances are allowed by the regulations that establish the quality of the raw materials used.



Code	07-614	
Item	ZANCA ESPANSIONE RINFORZATA 10 cm	
POLE		
Ø	mm	18
Thickness	mm	1,5
Lenght	mm	100 (A)
Total lenght	mm	150 (A+B)
ANCHOR BOLT		
Type	M10	
Ø	mm	18
Lenght	mm	50 (B)
U-BOLTS		
Lenght	mm	120 (E)
Width	mm	35 (C)
Thickness	mm	6
For masts Ø	mm	30 ÷ 60
Screws	M10x60 mm	
Distance between screws holes	mm	100 (D)



Single packaging

Packaging	Dimensions LxWxH (mm)	Weight (Kg)
Bracket	195x120x35	0,78

