



## Curved brackets

### art. 07-600 ZANCA A SBALZO VERTICALE ORIZZONTALE

Ideal for the horizontal or vertical mast installation of satellite dishes

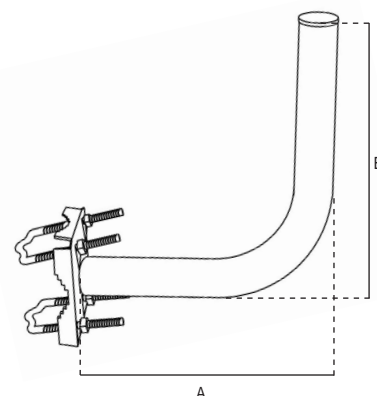
The tubes are made of steel, hot dip galvanized to ensure high quality and durability. The protection of the zinc cladding is of 50/85 microns thick.

The measures are in mm, unless otherwise specified.

Dimensional and thickness tolerances are allowed by the regulations that establish the quality of the raw materials used.



Code	07-600	
Item	ZANCA A SBALZO VERTICALE ORIZZONTALE	
<b>BENT</b>		
Type of bent	fixed	
Bending radius	90°	
Thickness	mm	1,4
Ø	mm	40
Dimensions	mm	260 (A); 250 (B)
<b>GEAR BRACKET</b>		
Side	mm	100x100
Height	mm	18
Thickness	mm	2,5
For masts Ø	mm	25 ÷ 70
Threaded U bolts	M8	
Distance between U bolts holes	mm	80 (D)



### Single packaging

Packaging	Dimensions LxWxH (mm)	Weight (Kg)
Bracket	280x103x275	1,0

