



## Curved brackets

### art. 07-600/A ZANCA A SBALZO ORIZZONTALE

Ideal for the horizontal mast or wall installation of satellite dishes

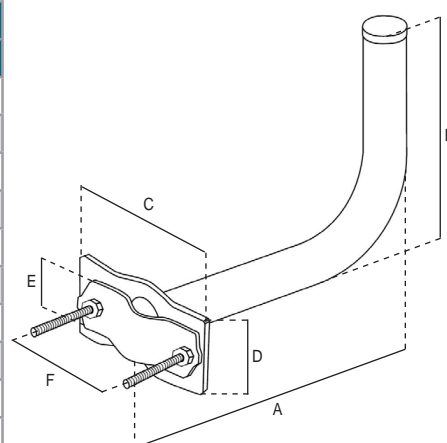
The tubes are made of steel, hot dip galvanized to ensure high quality and durability. The protection of the zinc cladding is of 50/85 microns thick.

The measures are in mm, unless otherwise specified.

Dimensional and thickness tolerances are allowed by the regulations that establish the quality of the raw materials used.



Code	07-600/A	
Item	ZANCA A SBALZO ORIZZONTALE	
<b>BENT</b>		
Type of bent	fixed	
Bending radius	90°	
Thickness	mm	1,4
Ø	mm	40
Dimensions	mm	260 (A); 250 (B)
<b>FIXING PLATES</b>		
Dimensions	mm	170 (C); 70 (D)
Thickness	mm	5
<b>U-BOLTS</b>		
Width	mm	40 (E)
Thickness	mm	4
Screws	QST 8x60 mm	
Distance between screws holes	mm	95 (F)
For masts Ø	mm	30 ÷ 60



### Single packaging

Packaging	Dimensions LxWxH (mm)	Weight (Kg)
Bracket	280x260x50	1,1

