



Balcony brackets

art. 07-599 ZANCA RINGHIERA TIPO EMILIA

Ideal for dishes fixing on balcony, by dedicated clamps.

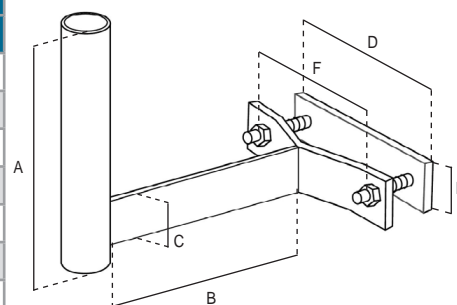
The tubes are made of steel, hot dip galvanized to ensure high quality and durability. The protection of the zinc cladding is of 50/85 microns thick.

The measures are in mm, unless otherwise specified.

Dimensional and thickness tolerances are allowed by the regulations that establish the quality of the raw materials used.



Code	07-599	
Item	ZANCA RINGHIERA TIPO EMILIA	
MASTS		
Height	mm	180 (A)
Thickness	mm	1,5
Ø	mm	40
SUPPORT ROD		
Length	mm	180 (B)
Height	mm	40 (C)
Thickness	mm	8
U-BOLT		
Width	mm	150 (D)
Height	mm	40 (E)
Thickness	mm	8
Screws	TE 10x90 mm	
Distance between screws	mm	140 (F)
For masts Ø	mm	35 ÷ 90



Single packaging

Packaging	Dimensions LxWxH (mm)	Weight (Kg)
Bracket	255x170x175	1,7

