



Supports for walls

art. 07-596Z ZANCA WI-FI 90° a muro

Ideal for the wall fixing installation of WI-FI antennas.

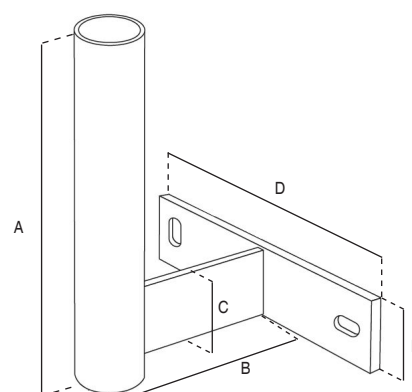
It is made of steel, electrolytically galvanized.

The measures are in mm, unless otherwise specified.

Dimensional and thickness tolerances are allowed by the regulations that establish the quality of the raw materials used.



Code	07-596Z	
Item	ZANCA WI-FI 90° a muro	
BENT		
Type of bent	fixed	
Bending radius	90°	
Thickness	mm	1,4
Ø	mm	35
Dimensions	mm	200 (A); 140 (B)
Useful height for attack	mm	200 (A)
Width spacer	mm	40 (C)
Thickness spacer	mm	4
FIXING PLATES		
Side	mm	170 (D) x 40 (E)
Thickness	mm	4
FIXING HOLES		
No.	2	
Dimension	mm	15x10 (1 vert. e 1 horiz.)



Single packaging

Packaging	Dimensions LxWxH (mm)	Weight (Kg)
Support	200x90x300	0,60

