



Supports for masts

art. 07-596WR SUPPORTO WI-FI REGOLABILE

Ideal for the mast fixing installation of WI-FI antennas.

Equipped with clamp and support to adjust the slant.

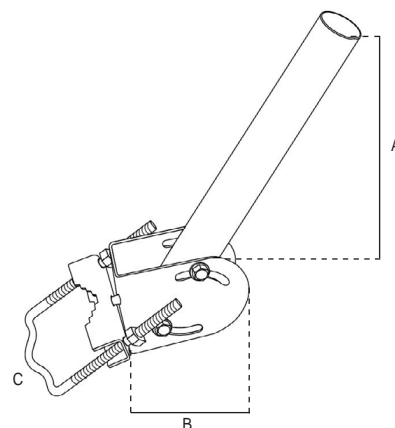
The tubes are made of steel, electrolytically galvanized.

The measures are in mm, unless otherwise specified.

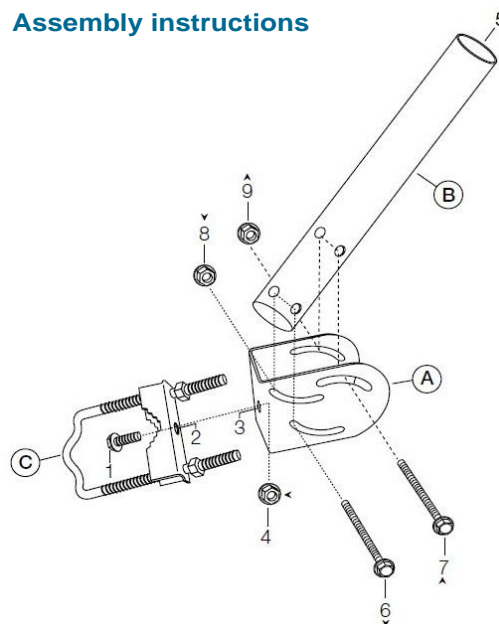
Dimensional and thickness tolerances are allowed by the regulations that establish the quality of the raw materials used.



Code	07-596WR	
Item	SUPPORTO WI-FI REGOLABILE	
POLE		
Lenght	mm	270 (A)
Ø	mm	30
Thickness	mm	1,2
SUPPORT		
Type of support	"U" structure, adjustable slant (C)	
Width	mm	90 (B)
No. sliding holes	4	
Sliding holes dimensions	mm	1,5
No. fixing holes	1	
Ø fixing holes	mm	8,5
TOOTHED BRACKET		
Dimensions	mm	100x20
Thickness	mm	2,5
No. fixing holes	1	
Ø fixing holes	mm	8,5
Type of fixing screw	mm	TE 8x16
Type of flanged nut	M8	
THREADED U BOLT		
Type of U bolt	M8	
No. fixing holes	2	
Type of fixing screws	mm	6x45
Type of flanged nut	M6	
For masts Ø	mm	25 ÷ 70



Assembly instructions



Single packaging

Packaging	Dimensions LxWxH (mm)	Weight (Kg)
Support	280x190x30	0,63

