



## Curved brackets

### super heavy

## art. 07-593

### MINI WALL MOUNT

Ideal for the wall installation of satellite dishes

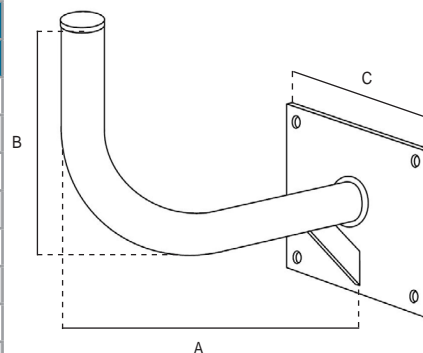
The tubes are made of steel, hot dip galvanized to ensure high quality and durability. The protection of the zinc cladding is of 50/85 microns thick.

The measures are in mm, unless otherwise specified.

Dimensional and thickness tolerances are allowed by the regulations that establish the quality of the raw materials used.



Code	07-593	
Item	MINI WALL MOUNT	
<b>BENT</b>		
Type of bent	fixed	
Bending radius	90°	
Thickness	mm	1,4
Ø	mm	40
Dimensions	mm	270 (A); 310 (B)
<b>FIXING PLATES</b>		
Side	mm	200x200 (C)
Thickness	mm	4
<b>FIXING HOLES</b>		
No.	4	
Ø	mm	14



### Single packaging

Packaging	Dimensions LxWxH (mm)	Weight (Kg)
Bracket	400x200x300	2,0

