



Brackets to be wall up

Light brackets

art. 07-587 ZANCA U ALTEZZA 30 cm

Wall bracket, indicated for fixing masts used for antennas and satellite dishes installations.

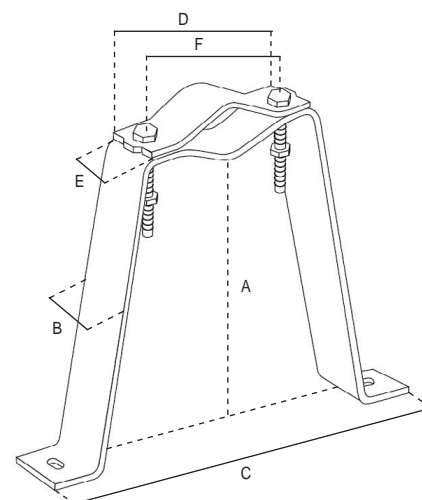
The tubes are made of steel, hot dip galvanized to ensure high quality and durability. The protection of the zinc cladding is of 50/85 microns thick.

The measures are in mm, unless otherwise specified.

Dimensional and thickness tolerances are allowed by the regulations that establish the quality of the raw materials used.



Code	07-587	
Item	ZANCA U ALTEZZA 30 cm	
STEEL STRIP		
Height	cm	30 (A)
Width	mm	40 (B)
Thickness	mm	5
Bracket width	mm	340 (C)
FIXING HOLES		
No.	2	
Dimensions	mm	15x10
U-BOLTS		
Length	mm	125 (D)
Width	mm	40 (E)
Thickness	mm	4
For masts Ø	mm	30 ÷ 80
Screws	M10x90 mm	
Distance between screws holes	mm	95 (F)



Single packaging

Packaging	Dimensions LxWxH (mm)	Weight (Kg)
Bracket	375x40x330	1,60

