



Expansion brackets

art. 07-584/C ZANCA AD ESPANSIONE 15 cm

Equipped with anchor bolt, indicated for fixing masts used for antennas and satellite dishes installation.

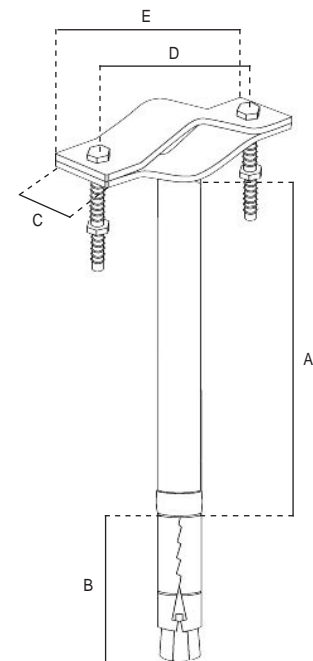
The tubes are made of steel, electrolytically galvanized.

The measures are in mm, unless otherwise specified.

Dimensional and thickness tolerances are allowed by the regulations that establish the quality of the raw materials used.



Code		07-584/C
Item		ZANCA AD ESPANSIONE 15 cm
POLE		
Ø	mm	18
Thickness	mm	1,5
Lenght	mm	150 (A)
Total lenght	mm	200 (A+B)
ANCHOR BOLT		
Type		M10
Ø	mm	18
Lenght	mm	50 (B)
U-BOLTS		
Lenght	mm	90 (E)
Width	mm	30 (C)
Thickness	mm	3
For masts Ø	mm	25 ÷ 45
Screws		QST M6x45 mm
Distance between screws holes	mm	63 (D)



Single packaging

Packaging	Dimensions LxWxH (mm)	Weight (Kg)
Bracket	230x85x30	0,36

