



## Expansion brackets

### art. 07-584/A ZANCA AD ESPANSIONE 5 cm

Equipped with anchor bolt, indicated for fixing masts used for antennas and satellite dishes installation.

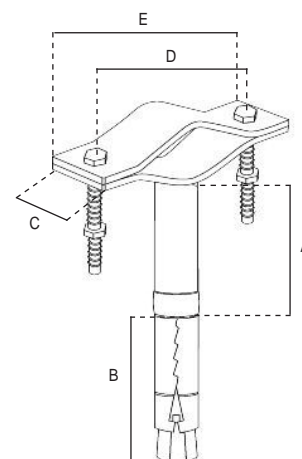
The tubes are made of steel, electrolytically galvanized.

The measures are in mm, unless otherwise specified.

Dimensional and thickness tolerances are allowed by the regulations that establish the quality of the raw materials used.



Code	07-584/A	
Item	ZANCA AD ESPANSIONE 5 cm	
<b>POLE</b>		
Ø	mm	18
Thickness	mm	1,5
Lenght	mm	50 (A)
Total lenght	mm	100 (A+B)
<b>ANCHOR BOLT</b>		
Type	M10	
Ø	mm	18
Lenght	mm	50 (B)
<b>U-BOLTS</b>		
Lenght	mm	90 (E)
Width	mm	30 (C)
Thickness	mm	3
For masts Ø	mm	25 ÷ 45
Screws	QST M6x45 mm	
Distance between screws holes	mm	63 (D)



#### Single packaging

Packaging	Dimensions LxWxH (mm)	Weight (Kg)
Bracket	123x85x30	0,24

