



## Expansion brackets of full rod

**art. 07-581**

# ZANCA AD ESPANSIONE PARI MURO TONDINO PIENO

Equipped with anchor bolt, indicated for fixing masts used for antennas and satellite dishes installation.

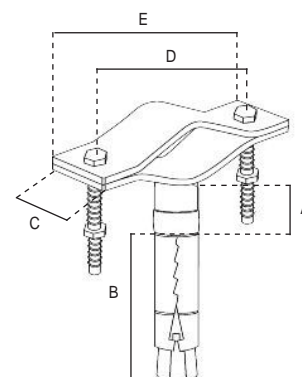
The tubes are made of steel, electrolytically galvanized.

The measures are in mm, unless otherwise specified.

Dimensional and thickness tolerances are allowed by the regulations that establish the quality of the raw materials used.



Code	07-581	
Item	ZANCA AD ESPANSIONE PARI MURO TONDINO PIENO	
<b>POLE</b>		
Ø	mm	18
Thickness	mm	1,5
Lenght	mm	10 (A)
Total lenght	mm	60 (A+B)
<b>ANCHOR BOLT</b>		
Type	M10	
Ø	mm	18
Lenght	mm	50 (B)
<b>U-BOLTS</b>		
Lenght	mm	125 (E)
Width	mm	30 (C)
Thickness	mm	4
For masts Ø	mm	30 ÷ 60
Screws	QST M8x60 mm	
Distance between screws holes	mm	95 (D)



### Single packaging

Packaging	Dimensions LxWxH (mm)	Weight (Kg)
Bracket	124x105x30	0,36

