



Expansion brackets of full rod

art. 07-578/E ZANCA AD ESPANSIONE 5 cm TONDINO PIENO

Equipped with anchor bolt, indicated for fixing masts used for antennas and satellite dishes installation.

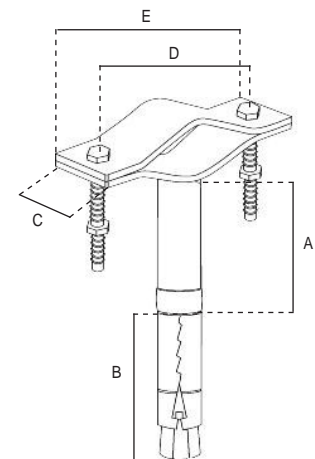
The tubes are made of steel, electrolytically galvanized.

The measures are in mm, unless otherwise specified.

Dimensional and thickness tolerances are allowed by the regulations that establish the quality of the raw materials used.



| Code | 07-578/E | |
|-------------------------------|---|-----------|
| Item | ZANCA AD ESPANSIONE 5 cm TONDINO PIENO | |
| POLE | | |
| Ø | mm | 18 |
| Thickness | mm | 1,5 |
| Lenght | mm | 50 (A) |
| Total lenght | mm | 100 (A+B) |
| ANCHOR BOLT | | |
| Type | M10 | |
| Ø | mm | 18 |
| Lenght | mm | 50 (B) |
| U-BOLTS | | |
| Lenght | mm | 125 (E) |
| Width | mm | 30 (C) |
| Thickness | mm | 4 |
| For masts Ø | mm | 30 ÷ 60 |
| Screws | QST M8x60 mm | |
| Distance between screws holes | mm | 95 (D) |



Single packaging

| Packaging | Dimensions LxWxH (mm) | Weight (Kg) |
|-----------|-----------------------|-------------|
| Bracket | 136x130x30 | 0,43 |

