



Brackets to be wall up

Heavy brackets

art. 07-578 ZANCA RINFORZATA 50 cm

Wall bracket, indicated for fixing masts used for antennas and satellite dishes installations.

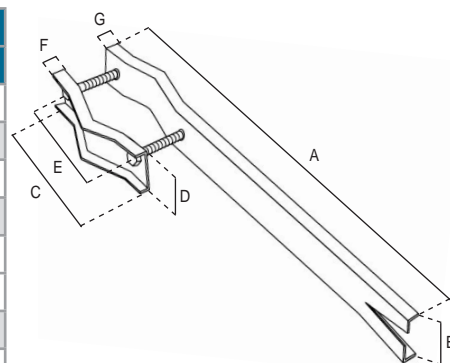
The tubes are made of steel, electrolytically galvanized.

The measures are in mm, unless otherwise specified.

Dimensional and thickness tolerances are allowed by the regulations that establish the quality of the raw materials used.



Code	07-578	
Item	ZANCA RINFORZATA 50 cm	
STEEL STRIP		
Type of steel strip	"U" shape	
Lenght	cm	50 (A)
Dimensions	mm	30 (B) x 15 (G)
Thickness	mm	4
U-BOLTS		
Type of steel strip	"U" shape	
Lenght	cm	125 (C)
Dimensions	mm	30 (D) x 15 (F)
Thickness	mm	4
For masts Ø	mm	30 ÷ 60
Screws	M8x60 mm	
Distance between screws holes	mm	100 (E)



Single packaging

Packaging	Dimensions LxWxH (mm)	Weight (Kg)
Bracket	500x65x30	1,12

