



## Brackets to be wall up

Heavy brackets

**art. 07-577**

**ZANCA RINFORZATA 40 cm**

Wall bracket, indicated for fixing masts used for antennas and satellite dishes installations.

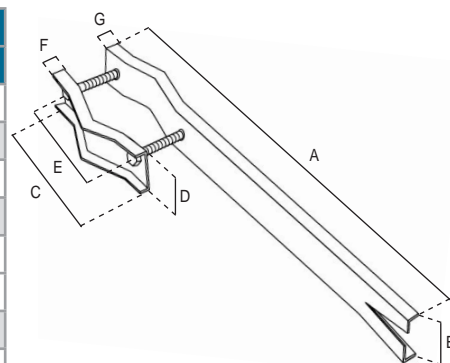
The tubes are made of steel, electrolytically galvanized.

The measures are in mm, unless otherwise specified.

Dimensional and thickness tolerances are allowed by the regulations that establish the quality of the raw materials used.



Code	07-577	
Item	ZANCA RINFORZATA 40 cm	
<b>STEEL STRIP</b>		
Type of steel strip	"U" shape	
Lenght	cm	40 (A)
Dimensions	mm	30 (B) x 15 (G)
Thickness	mm	4
<b>U-BOLTS</b>		
Type of steel strip	"U" shape	
Lenght	cm	125 (C)
Dimensions	mm	30 (D) x 15 (F)
Thickness	mm	4
For masts Ø	mm	30 ÷ 60
Screws	M8x60 mm	
Distance between screws holes	mm	100 (E)



### Single packaging

Packaging	Dimensions LxWxH (mm)	Weight (Kg)
Bracket	407x65x30	0,97

