



Curved brackets

art. 07-576 ZANCA CURVA

Ideal for the mast installation of satellite dishes.

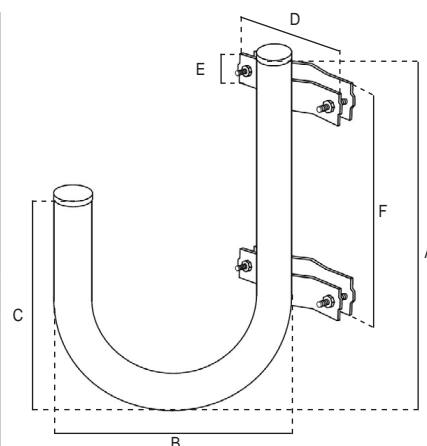
The tubes are made of steel, hot dip galvanized to ensure high quality and durability. The protection of the zinc cladding is of 50/85 microns thick.

The measures are in mm, unless otherwise specified.

Dimensional and thickness tolerances are allowed by the regulations that establish the quality of the raw materials used.



| Code | 07-576 | |
|--------------------------|-------------|---------------------------|
| Item | ZANCA CURVA | |
| BENT | | |
| Type of bent | fixed | |
| Bending radius | 180° | |
| Thickness | mm | 2 |
| Ø | mm | 42 |
| Dimensions | mm | 500 (A); 380 (B); 330 (C) |
| U-BOLTS | | |
| No. | 2 | |
| Width | mm | 125 (D) |
| Height | mm | 30 (E) |
| Thickness | 4 | |
| Screws | QST 8x60 mm | |
| Dimensions screws holes | mm | 95 |
| Distance between U-bolts | mm | 300 (F) |
| For masts Ø | mm | 30 ÷ 60 |



Single packaging

| Packaging | Dimensions LxWxH (mm) | Weight (Kg) |
|-----------|-----------------------|-------------|
| Bracket | 510x410x120 | 2,6 |

