



Curved brackets

art. 07-575 ZANCA CURVA ECONOMICA

Ideal for the installation of satellite dishes to the mast or to the wall.

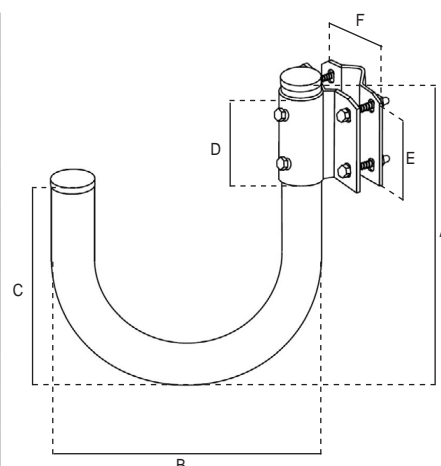
The tubes are made of steel, hot dip galvanized to ensure high quality and durability. The protection of the zinc cladding is of 50/85 microns thick.

The measures are in mm, unless otherwise specified.

Dimensional and thickness tolerances are allowed by the regulations that establish the quality of the raw materials used.



Code	07-575	
Item	ZANCA CURVA ECONOMICA	
BENT		
Type of bent	fixed	
Bending radius	180°	
Thickness	mm	1,4
Ø	mm	40
Dimensions	mm	300 (A); 280 (B); 220 (C)
FIXING TUBE		
Type of tube	adjustable height	
Ø	mm	48
Length	mm	90 (D)
Thickness	mm	3
No. screws	2	
Screws	TE 8x20 mm	
FIXING PLATES		
Dimensions	mm	90x90
Thickness	mm	2,5
U-BOLTS		
Dimensions	mm	90 (E); 90 (F)
Thickness	mm	2,5
No. screws	4	
Screws	TE 8x60 mm	
Dimensions screws holes	mm	10x15
Distance between screws holes	mm	65
For masts Ø	mm	50



Single packaging

Packaging	Dimensions LxWxH (mm)	Weight (Kg)
Bracket	300x300x90	1,4

