



Curved brackets

art. 07-570 ZANCA CURVA ATTACCO GANASCIA

Ideal for the mast installation of satellite dishes.

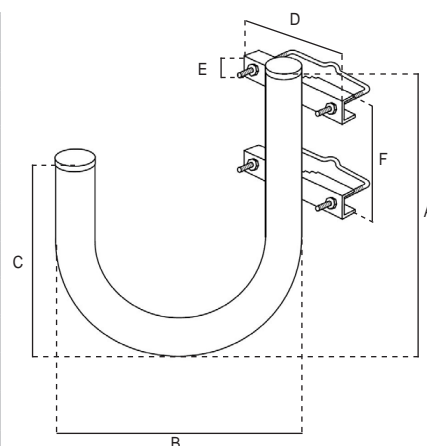
The tubes are made of steel, hot dip galvanized to ensure high quality and durability. The protection of the zinc cladding is of 50/85 microns thick.

The measures are in mm, unless otherwise specified.

Dimensional and thickness tolerances are allowed by the regulations that establish the quality of the raw materials used.



Code	07-570	
Item	ZANCA CURVA ATTACCO GANASCIA	
BENT		
Type of bent	fixed	
Bending radius	180°	
Thickness	mm	1,4
Ø	mm	40
Dimensions	mm	400 (A); 240 (B); 280 (C)
GEAR BRACKETS		
No.	2	
Width	mm	100 (D)
Height	mm	20 (E)
Thickness	mm	2,5
Threaded U bolts	8MA	
Nuts (included)	M8	
Dimensions U bolts holes	80	
Distance between gear brackets	mm	220 (F)
For masts Ø	mm	30 ÷ 70



Single packaging

Packaging	Dimensions LxWxH (mm)	Weight (Kg)
Bracket	400x270x100	1,7

