

Through tiles

for masts

art. 07-567/C TEGOLA PASSANTE IN PIOMBO

Lead protection.

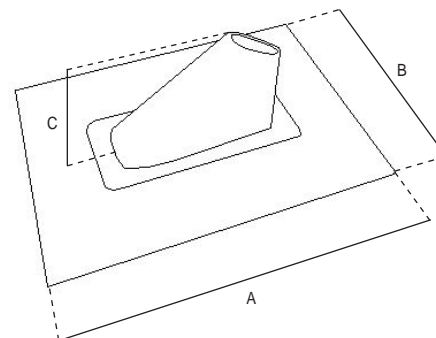
The measures are in mm, unless otherwise specified.

Dimensional and thickness tolerances are allowed by the regulations that establish the quality of the raw materials used.

To be matched to art. 07-567/E CAPPuccio IN GOMMA.



Code	07-567/C	
Item	TEGOLA PASSANTE IN PIOMBO	
Material	Lead	
Quality of the material	99,9 %	
Dimensions	mm	450 (A); 450 (B)
Height	mm	130 (C)
Thickness	mm	1
For masts Ø	mm	60 max



Single packaging

Packaging	Dimensions LxWxH (mm)	Weight (Kg)
Tile	450x450x130	2,8

