



Through tiles

for masts

art. 07-567/A TEGOLA PASSANTE IN POLITENE RIGIDA

Protection of black rigid polyethylene.

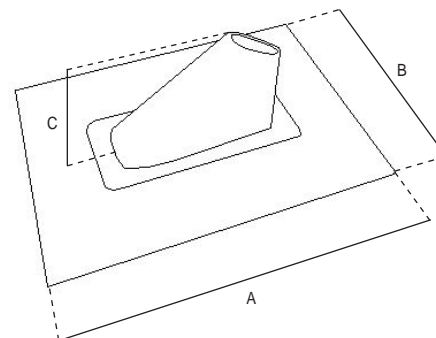
The measures are in mm, unless otherwise specified.

Dimensional and thickness tolerances are allowed by the regulations that establish the quality of the raw materials used.

To be matched to art. 07-567/E CAPPuccio IN GOMMA.



Code	07-567/A	
Item	TEGOLA PASSANTE IN POLITENE RIGIDA	
Material	Rigid polyethylene	
Dimensions	mm	410 (A); 300 (B)
Height	mm	130 (C)
For masts Ø	mm	60 max



Single packaging

Packaging	Dimensions LxWxH (mm)	Weight (Kg)
Tile	413x300x200	0,32

