



Emilia Wall Brackets

heavy

art. 07-559

ZANCA RINFORZATA 10 cm

Ideal for fixing masts used in the antennas and dishes installation.

Equipped with welded plate on the base with two holes for wall mounting using anchor bolts or threaded rods.

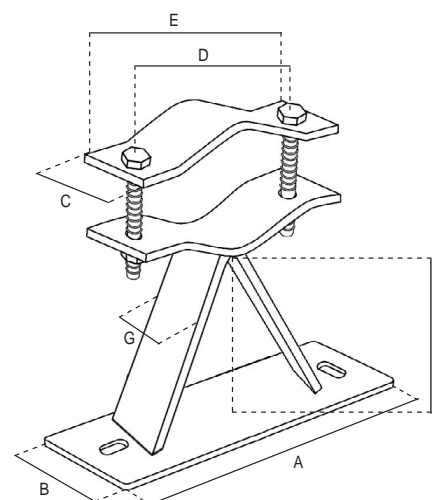
The tubes are made of steel, hot dip galvanized to ensure high quality and durability. The protection of the zinc cladding is of 50/85 microns thick.

The measures are in mm, unless otherwise specified.

Dimensional and thickness tolerances are allowed by the regulations that establish the quality of the raw materials used.



Code	07-559	
Item	ZANCA RINFORZATA 10 cm	
SUPPORT		
Height	cm	10 (F)
Width	mm	35 (G)
Thickness	mm	6
PLATE		
Thickness	mm	5
Lenght	mm	70 (A)
Width	mm	200 (B)
FIXING HOLES		
No.	2	
Dimensions	mm	20x14
U-BOLTS		
Lenght	mm	120 (E)
Width	mm	35 (C)
Thickness	mm	6
For masts Ø	mm	30 ÷ 60
Screws	M10x60 mm	
Distance between screws holes	mm	100 (D)



Single packaging

Packaging	Dimensions LxWxH (mm)	Weight (Kg)
Bracket	200x70x133	1,37

