



## Emilia Wall Brackets

heavy

**art. 07-557**

### ZANCA RINFORZATA PARI MURO

Ideal for fixing masts used in the antennas and dishes installation.

Equipped with welded plate on the base with two holes for wall mounting using anchor bolts or threaded rods.

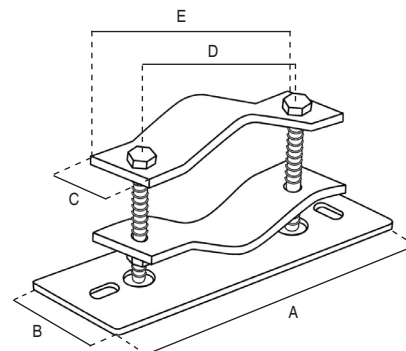
The tubes are made of steel, hot dip galvanized to ensure high quality and durability. The protection of the zinc cladding is of 50/85 microns thick.

The measures are in mm, unless otherwise specified.

Dimensional and thickness tolerances are allowed by the regulations that establish the quality of the raw materials used.



Code	07-557	
Item	ZANCA RINFORZATA PARI MURO	
<b>PLATE</b>		
Thickness	mm	5
Length	mm	200 (A)
Width	mm	70 (B)
<b>FIXING HOLES</b>		
N.	2	
Dimensions	mm	20x11
<b>U-BOLTS</b>		
Length	mm	120 (E)
Width	mm	35 (C)
Thickness	mm	6
For masts Ø	mm	30 ÷ 60
Screws	M10x60 mm	
Distance between screws holes	mm	100 (D)



#### Single packaging

Packaging	Dimensions LxWxH (mm)	Weight (Kg)
Bracket	200x70x70	1,0

