



Balcony brackets

art. 07-550 ZANCA RINGHIERA

Ideal for masts fixing on balcony, by dedicated clamps.

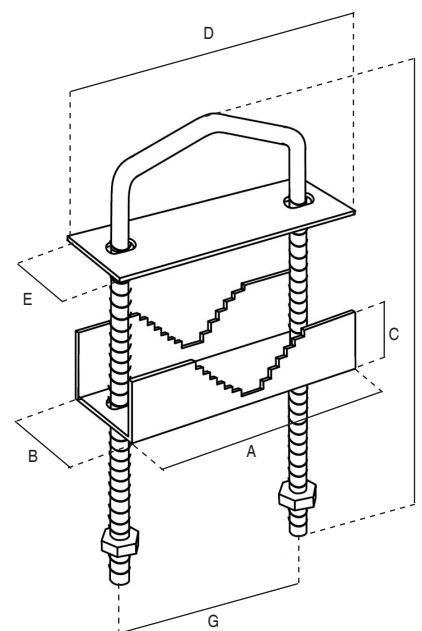
The tubes are made of steel, electrolytically galvanized.

The measures are in mm, unless otherwise specified.

Dimensional and thickness tolerances are allowed by the regulations that establish the quality of the raw materials used.



| | | |
|----------------------------|------------------------|------------------------|
| Code | 07-550 | |
| Item | ZANCA RINGHIERA | |
| GEAR BRACKET | | |
| Thickness | mm | 2 |
| Dimensions | mm | 70 (A); 38 (B); 18 (C) |
| COUNTERGEAR BRACKET | | |
| Thickness | mm | 2,5 |
| Dimensions | mm | 25 (D); 70 (E) |
| U-bolt | M6 | |
| Dimensions | mm | 120 (F) |
| Distance between screws | mm | 47 (G) |
| For masts Ø | mm | 25 ÷ 40 |



Single packaging

| Packaging | Dimensions LxWxH (mm) | Weight (Kg) |
|-----------|-----------------------|-------------|
| Bracket | 70x40x120 | 0,14 |

