



## Balcony brackets

### art. 07-549 ZANCA RINGHIERA GIGANTE

Ideal for masts fixing on balcony, by dedicated clamps.

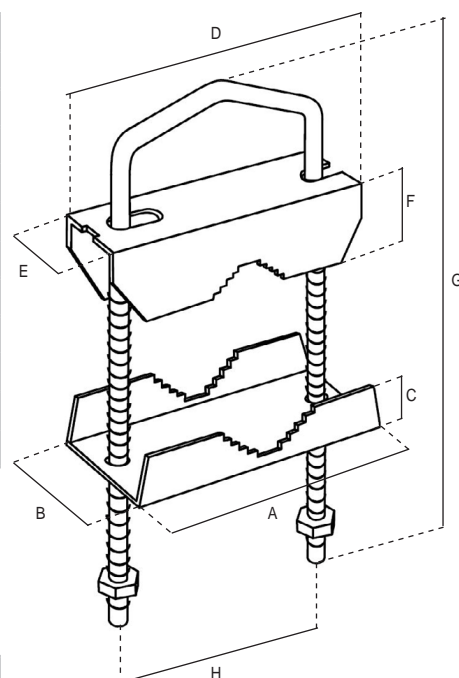
The tubes are made of steel, electrolytically galvanized.

The measures are in mm, unless otherwise specified.

Dimensional and thickness tolerances are allowed by the regulations that establish the quality of the raw materials used.



Code	07-549	
Item	ZANCA RINGHIERA GIGANTE	
<b>GEAR BRACKET</b>		
Thickness	mm	2,3
Dimensions	mm	85 (A); 50 (B); 15 (C)
<b>COUNTERGEAR BRACKET</b>		
Thickness	mm	2,3
Dimensions	mm	85 (D); 35 (E); 25 (F)
U-bolt	M6	
Dimensions	mm	140 (G)
Distance between screws	mm	65 (H)
For masts Ø	mm	30 ÷ 55



#### Single packaging

Packaging	Dimensions LxWxH (mm)	Weight (Kg)
Bracket	80x47x140	0,23

