



Balcony brackets

art. 07-549/A ZANCA RINGHIERA RINFORZATA

Ideal for masts fixing on balcony, by dedicated clamps.

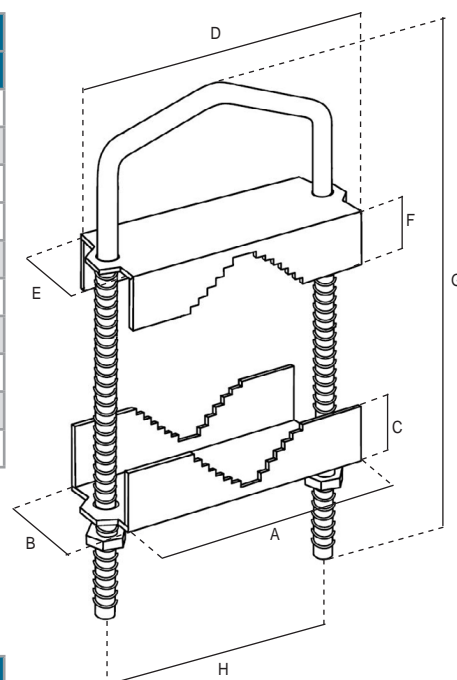
The tubes are made of steel, electrolytically galvanized.

The measures are in mm, unless otherwise specified.

Dimensional and thickness tolerances are allowed by the regulations that establish the quality of the raw materials used.



Code	07-549/A	
Item	ZANCA RINGHIERA RINFORZATA	
GEAR BRACKET		
Thickness	mm	2,5
Dimensions	mm	100 (A); 20 (B); 20 (C)
COUNTERGEAR BRACKET		
Thickness	mm	2,5
Dimensions	mm	100 (D); 20 (E); 20 (F)
U-bolt	M8	
Dimensions	mm	140 (G)
Distance between screws	mm	80 (H)
For masts Ø	mm	25 ÷ 70



Single packaging

Packaging	Dimensions LxWxH (mm)	Weight (Kg)
Bracket	100x25x140	0,26

