

## Telescopic roof bracket

L 1,7 m

**art. 07-500**

### ZANCA DI FISSAGGIO SOTTOTETTO

Bent mast with "T" extensible mast for base, equipped with two fixing plates. The inclination of the bent mast is adjustable.

Ideal for roofs with wood beams.

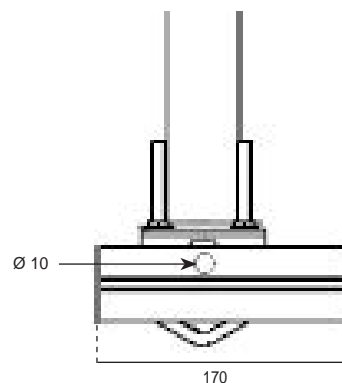
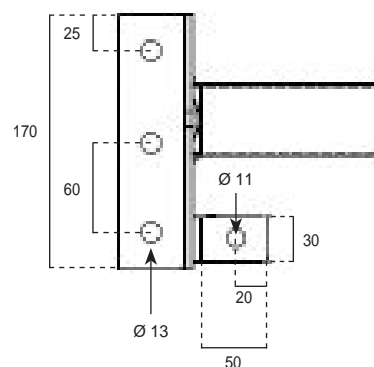
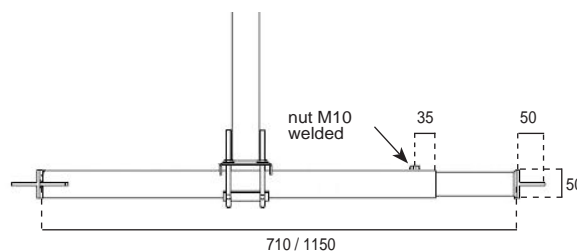
The tubes are made of steel, hot dip galvanized to ensure high quality and durability. The protection of the zinc cladding is of 50/85 microns thick.

The measures are in mm, unless otherwise specified.

Dimensional and thickness tolerances are allowed by the regulations that establish the quality of the raw materials used.



Code		07-500
Item		ZANCA DI FISSAGGIO SOTTOTETTO
<b>POLE</b>		
Ø	mm	48
Thickness	mm	2
Lenght	m	1,7 (A)
<b>POLE FOR BASE</b>		
Ø	mm	48
Ø internal pole	mm	42
Thickness	mm	2
Lenght (adjustable)	mm	710 (min); 1150 (max)
<b>BENT</b>		
Type of bent		fixed
Bending radius		180°
Ø	mm	48
Thickness	mm	2
<b>FIXING PLATES</b>		
Dimensions	mm	170x50x50
Thickness	mm	5



#### Single packagin

Packaging	Dimensions LxWxH (mm)	Weight (Kg)
Mast	1100x100x100	3,5
Base mast	810x50x170	4,0

