



Emilia Wall Brackets

with clamp

art. 07-484

ZANCA TELESCOPICA 20/40

Ideal for fixing masts used in the antennas and dishes installation.

Equipped with welded plate on the base with two holes for wall mounting using anchor bolts or threaded rods.

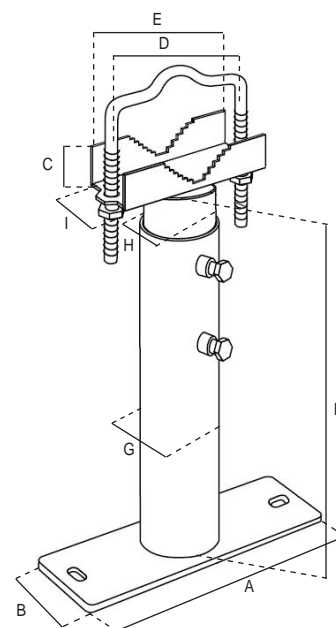
The tubes are made of steel, hot dip galvanized to ensure high quality and durability. The protection of the zinc cladding is of 50/85 microns thick.

The measures are in mm, unless otherwise specified.

Dimensional and thickness tolerances are allowed by the regulations that establish the quality of the raw materials used.



Code	07-484	
Item	ZANCA TELESCOPICA 20/40	
POLE		
Height		20 ÷ 34 (F)
Ø internal tube	cm	40 (G)
Internal tube thickness	mm	1,4
Ø external tube	mm	35 (H)
External tube thickness		1,4
PLATE		
Thickness	mm	4
Length	mm	170 (A)
Width	mm	40 (B)
FIXING HOLES		
No.		2
Dimensions	mm	15x10
GEAR BRACKET		
Side	mm	100 (E) x 20 (I) x 18 (C)
Thickness	mm	2,5
For masts Ø	mm	30 ÷ 70
Threaded U bolts		M8
Distance between U bolts holes	mm	80 (D)



Single packaging

Packaging	Dimensions LxWxH (mm)	Weight (Kg)
Bracket	170x40x235	0,93

