



Emilia Wall Brackets

with clamp

art. 07-483

**ZANCA ATTACCO A GANASCIA
15 cm**

Ideal for fixing (vertical or horizontal) masts used in the antennas and dishes installation.

Equipped with welded plate on the base with two holes for wall mounting using anchor bolts or threaded rods.

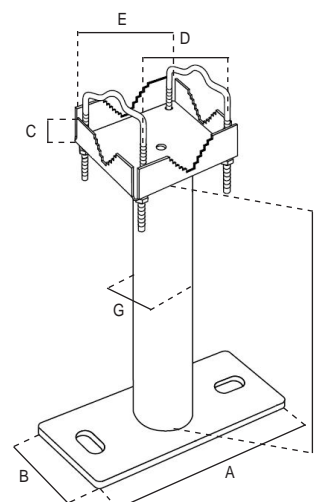
The tubes are made of steel, hot dip galvanized to ensure high quality and durability.
The protection of the zinc cladding is of 50/85 microns thick.

The measures are in mm, unless otherwise specified.

Dimensional and thickness tolerances are allowed by the regulations that establish the quality of the raw materials used.



| Code | 07-483 | |
|--------------------------------|--------------------------------|---------|
| Item | ZANCA ATTACCO A GANASCIA 15 cm | |
| POLE | | |
| Height | cm | 15 (F) |
| Ø | mm | 40 |
| Thickness | mm | 1,4 |
| PLATE | | |
| Thickness | mm | 4 |
| Lenght | mm | 200 (A) |
| Width | mm | 70 (B) |
| FIXING HOLES | | |
| No. | 2 | |
| Dimensions | mm | 20x14 |
| GEAR BRACKET | | |
| Side | mm | 100 (E) |
| Height | mm | 18 (C) |
| Thickness | mm | 2,5 |
| For masts Ø | mm | 30 ÷ 70 |
| Threaded U bolts | M8 | |
| Distance between U bolts holes | mm | 80 (D) |



Single packaging

| Packaging | Dimensions LxWxH (mm) | Weight (Kg) |
|-----------|-----------------------|-------------|
| Bracket | 200x70x170 | 1,13 |

