



Emilia Wall Brackets

with clamp

art. 07-481

**ZANCA ATTACCO A GANASCIA
10 cm**

Ideal for fixing masts used in the antennas and dishes installation.

Equipped with welded plate on the base with two holes for wall mounting using anchor bolts or threaded rods.

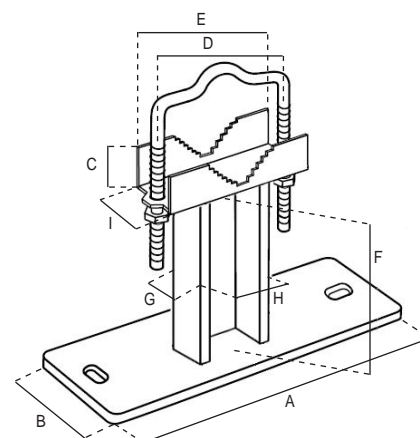
The tubes are made of steel, hot dip galvanized to ensure high quality and durability. The protection of the zinc cladding is of 50/85 microns thick.

The measures are in mm, unless otherwise specified.

Dimensional and thickness tolerances are allowed by the regulations that establish the quality of the raw materials used.



Code	07-481	
Item	ZANCA ATTACCO A GANASCIA 10 cm	
POLE		
Type of pole	"U" shape	
Height	cm	10 (F)
Dimensions	mm	40 (H) x 20 (G)
Thickness	mm	5
PLATE		
Thickness	mm	4
Length	mm	170 (A)
Width	mm	40 (B)
FIXING HOLES		
No.	2	
Dimensions	mm	15x10
GEAR BRACKET		
Side	mm	100 (E) x 20 (I) x 18 (C)
Thickness	mm	2,5
For masts Ø	mm	30 ÷ 70
Threaded U bolts	M8	
Distance between U bolts holes	mm	80 (D)



Single packaging

Packaging	Dimensions LxWxH (mm)	Weight (Kg)
Bracket	170x40x120	0,69

