

## Emilia Wall Brackets

with clamp

**art. 07-480**

### ZANCA ATTACCO A GANASCIA 5 cm

Ideal for fixing (vertical or horizontal) masts used in the antennas and dishes installation.

Equipped with welded plate on the base with two holes for wall mounting using anchor bolts or threaded rods.

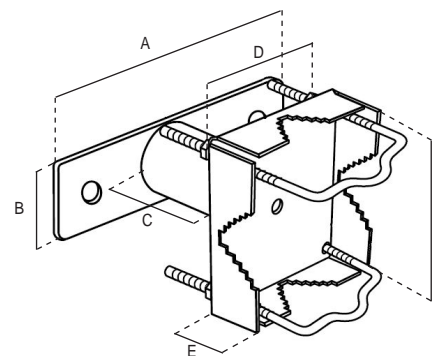
The tubes are made of steel, hot dip galvanized to ensure high quality and durability. The protection of the zinc cladding is of 50/85 microns thick.

The measures are in mm, unless otherwise specified.

Dimensional and thickness tolerances are allowed by the regulations that establish the quality of the raw materials used.



Code	07-480	
Item	ZANCA ATTACCO A GANASCIA 5 cm	
<b>POLE</b>		
Height	cm	5 (C)
Ø	mm	40
Thickness	mm	1,4
<b>PLATE</b>		
Thickness	mm	4
Lenght	mm	170 (A)
Width	mm	40 (B)
<b>FIXING HOLES</b>		
No.		2
Ø	mm	10
<b>GEAR BRACKET</b>		
Side	mm	100 (F)
Height	mm	18 (E)
Thickness	mm	2,5
For masts Ø	mm	30 ÷ 70
Threaded U bolts		M8
Distance between U bolts holes	mm	80 (D)



#### Single packaging

Packaging	Dimensions LxWxH (mm)	Weight (Kg)
Bracket	170x100x100	0,76

