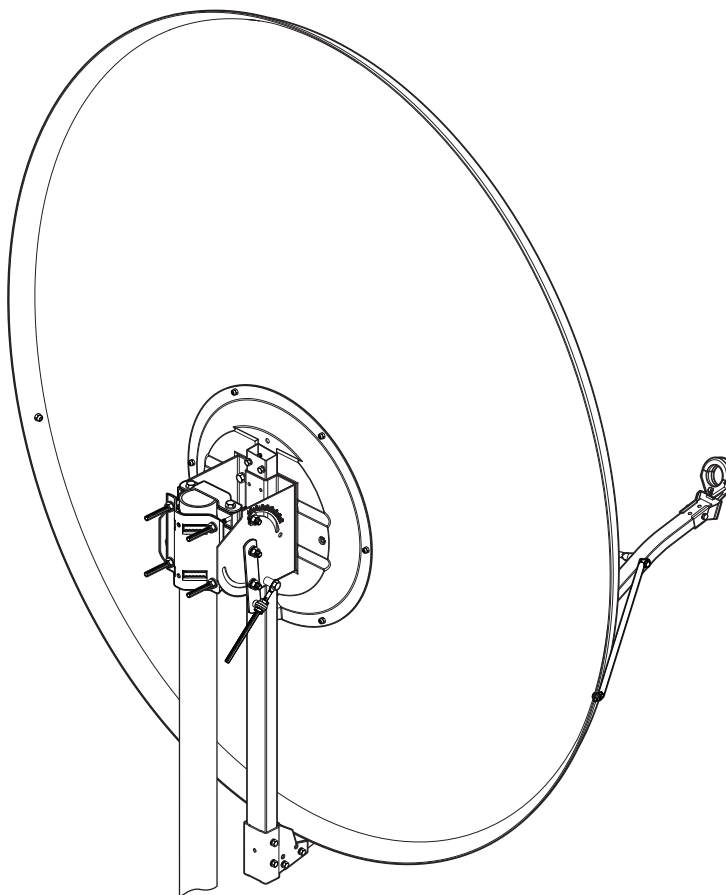


Parabole in alluminio serie PO 150 G

Aluminium satellite dishes PO 150 G series

CE

art. 11-135
PO 150 G



WARNINGS

We strongly encourage you to read this manual before installation and use of the product and strictly observe the recommendation hereof.



Installation shall be carried out by qualified personnel. Mounting instruction has to be carefully observed.



For installation and use, please observe all specific regulation and laws applicable in the destination country.



Carefully read all safety regulations. Failure to observe the indications reported, can cause serious damages to third parties.



If not otherwise indicated, for tightening of screws, bolts and in general threaded rods, refer to applicable figures reported in Tab. 2 in the paragraph General Installation Instructions for GIBERTINI Antennas

NOTES ABOUT DISPOSAL



The barred bin symbol indicates that the product must be disposed of separately from other waste and cannot be thrown into the domestic waste at the end of its life. The user will therefore take the appliance at the end of its life to the suitable separated collection centres for metal parts waste in their own town. An adequate separated collection for sending of the appliance to recycling, treatment and environmentally compatible disposal helps to avoid possible negative effects on the environment and on health thus favouring the reuse and recycle of the materials of which the appliance is made of. The unauthorised disposal of the product by the user causes the application of administrative fees provided for by the regulation in force.

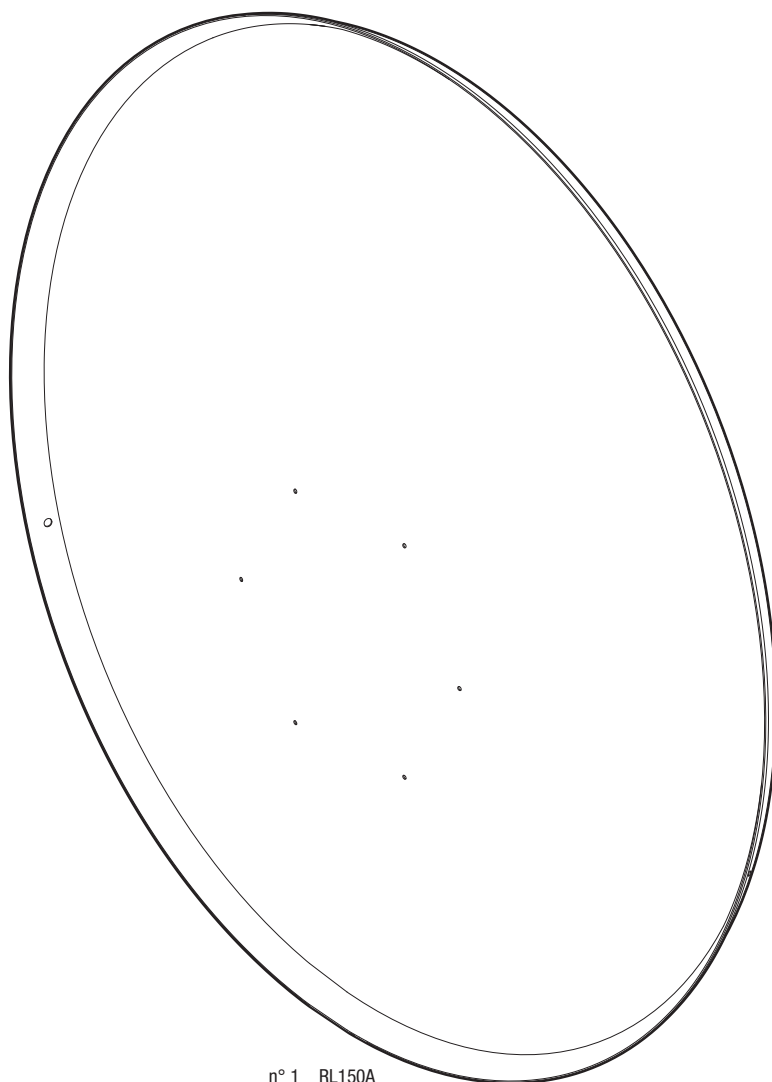


The producer reserve the right to change specifications to products and to documentations without prior notice.

Rev. 0 01.2017

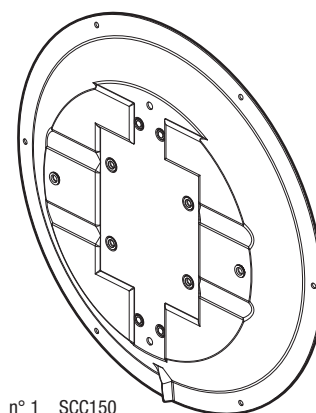


CONTENTS OF THE PACKAGE



n° 1 RL150A

Reflector

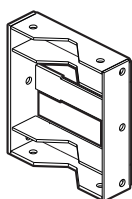


n° 1 SCC150

Reflector support



n° 1 SPL125

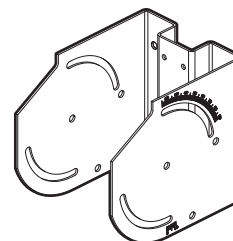


n° 1 SCL125



n° 1 SB125

Pole Clamp components

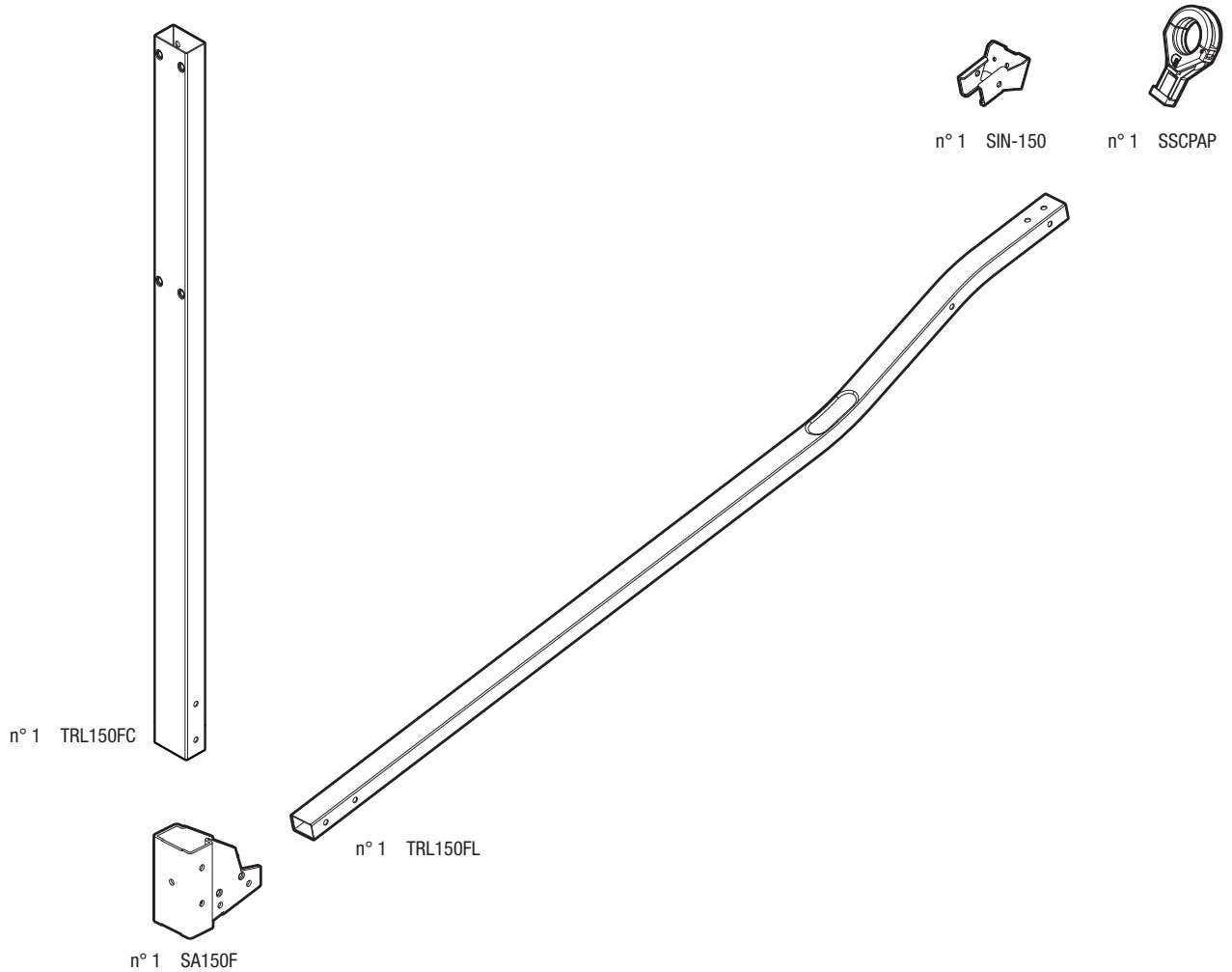


n° 1 SD125-HR

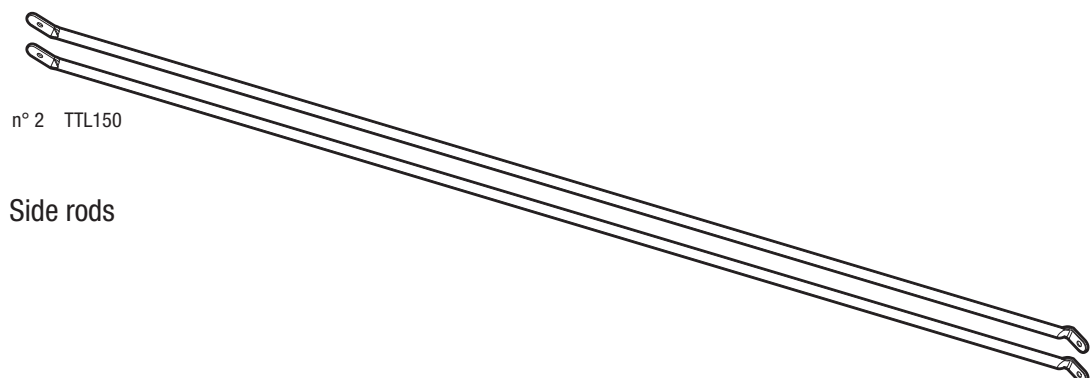
Elevation bracket



CONTENTS OF THE PACKAGE



Arms and Feed Holder mount components



Side rods




CONTENTS OF THE PACKAGE




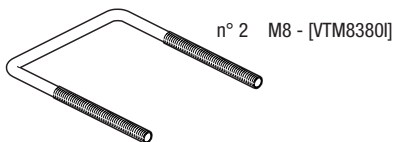
1 Elements and thread parts for Pole mount clamp

 n° 2 M8x20 - ISO 4017 - UNI 5739 - DIN933


 n° 6 M8 - ISO 4033 - UNI 5587

 n° 6 Ø8 - DIN 6798A - UNI8842A

 n° 6 Ø8 - ISO 7089 - UNI 6592 - DIN125A



2 Elements and thread parts for the Elevation bracket and reflector support


 n° 4 Ø6 - ISO 7089 - UNI 6592 - DIN125A

 n° 4 Ø8 - ISO 7089 - UNI 6592 - DIN125A


 n° 4 M6x45 - ISO 4017 - UNI 5739 - DIN933

 n° 4 M8x20 - ISO 4017 - UNI 5739 - DIN933

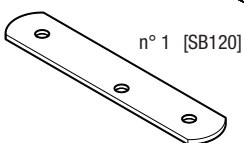
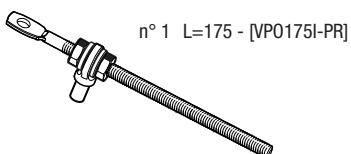
3 Elements and thread parts for Elevation adjuster

 n° 2 M8 - ISO 4033 - UNI 5587


 n° 2 Ø8 - DIN 6798A - UNI8842A

 n° 1 M8x40 - ISO 4017 - UNI 5739

 n° 1 L=20 - [VVD20G]




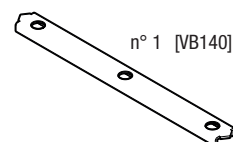
4 Elements and thread parts for Bracket and pole mount unit assembly

 n° 3 M8 - ISO 4033 - UNI 5587

 n° 3 Ø8 - DIN 6798A - UNI8842A

 n° 2 Ø8 - ISO 7089 - UNI 6592 - DIN125A

 n° 1 [VHIPID]





CONTENTS OF THE PACKAGE



5 Elements and thread parts for Arms and feed holder mount

-  n° 5 M6 - ISO 4032 - UNI 5588 - DIN934
-  n° 5 Ø6 - DIN 6798A - UNI8842A
-  n° 5 Ø6 - ISO 7089 - UNI 6592 - DIN125A
-  n° 1 M6x45 - ISO 4017 - UNI 5739 - DIN933
-  n° 2 M6x50 - ISO 4017 - UNI 5739 - DIN933
-  n° 2 M6x70 - ISO 4017 - UNI 5739 - DIN933
-  n° 1 CHBR4

6 Elements and thread parts for Antenna reflector

-  n° 6 M6 - ISO 10511 - DIN 985 - UNI7474
-  n° 6 M6x12 - ISO4762

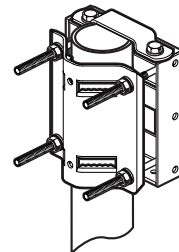
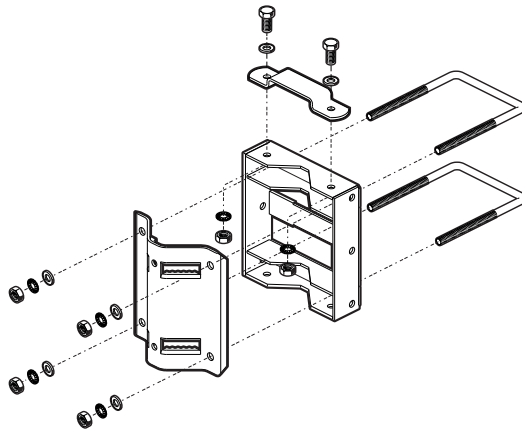
7 Elements and thread parts for Antenna reflector

-  n° 1 M6 - ISO 4032 - UNI 5588 - DIN934
-  n° 1 Ø6 - DIN 6798A - UNI8842A
-  n° 1 Ø6 - ISO 7089 - UNI 6592 - DIN125A
-  n° 1 M6x45 - ISO 4017 - UNI 5739 - DIN933
-  n° 2 M6 - ISO 10511 - DIN 985 - UNI7474
-  n° 2 M6x12 - ISO4762

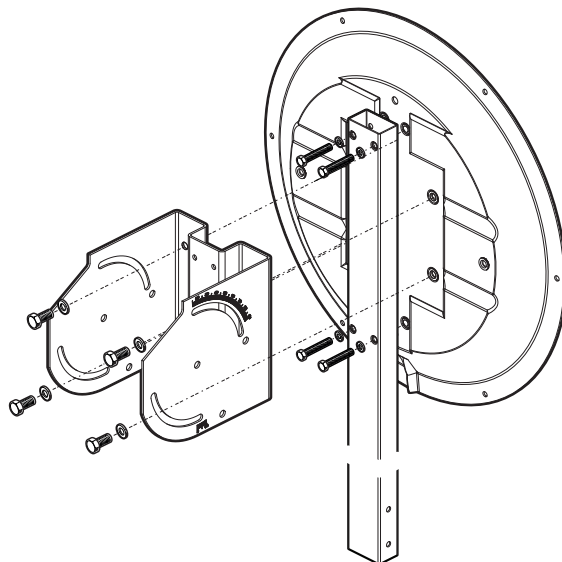


ASSEMBLING STEPS

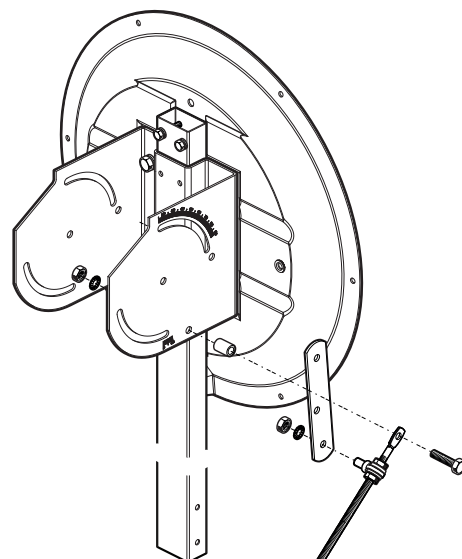
① Assembly of the pole clamp mount



A fixing pole with a diameter from 75mm up to 90mm and thickness of 3mm is highly recommended.



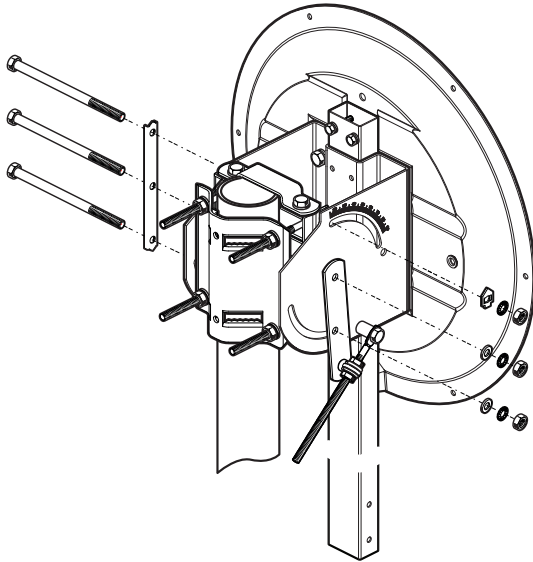
② Assembly of the Elevation bracket to the reflector support



③ Assembly of the Elevation fine regulation threaded tie-rod

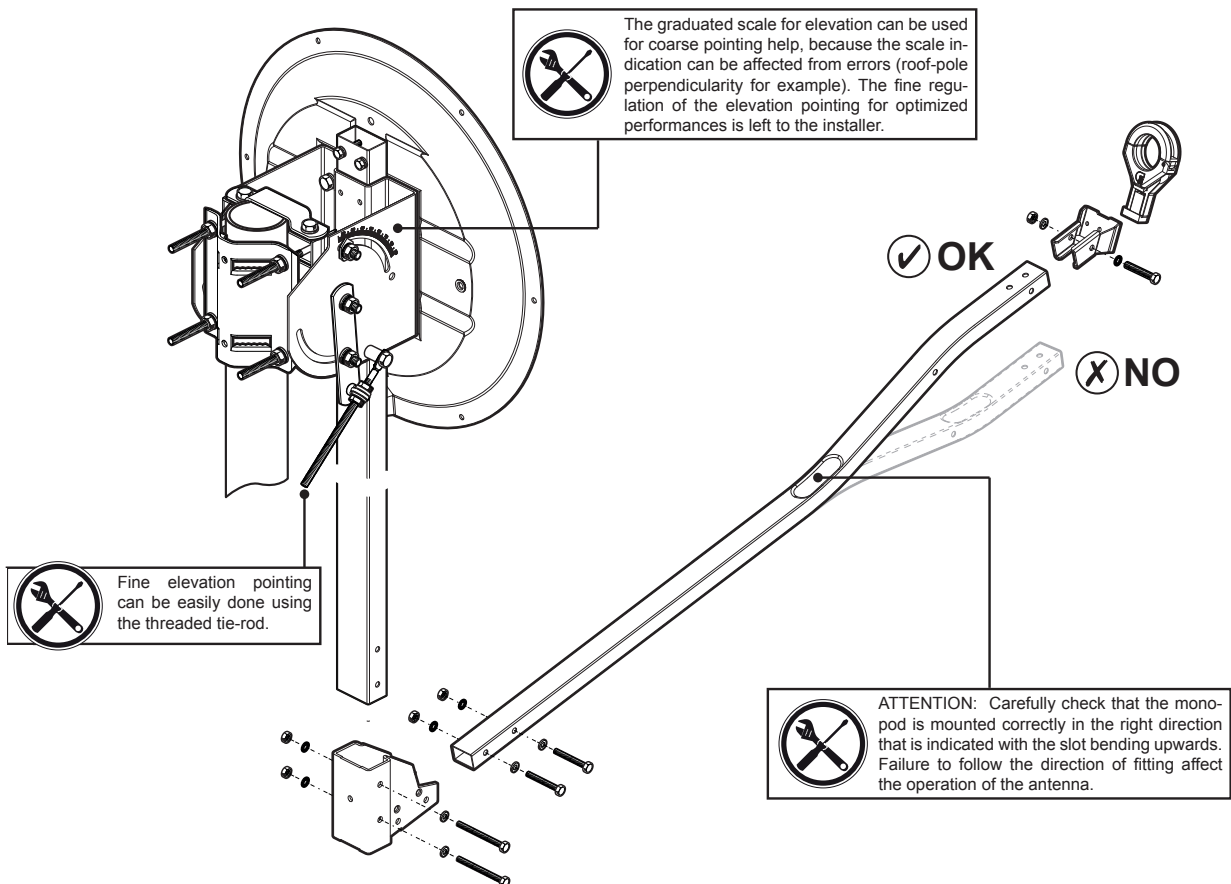


ASSEMBLING STEPS



- ④ Assembly of the antenna rear bracket to the pole clamp mount

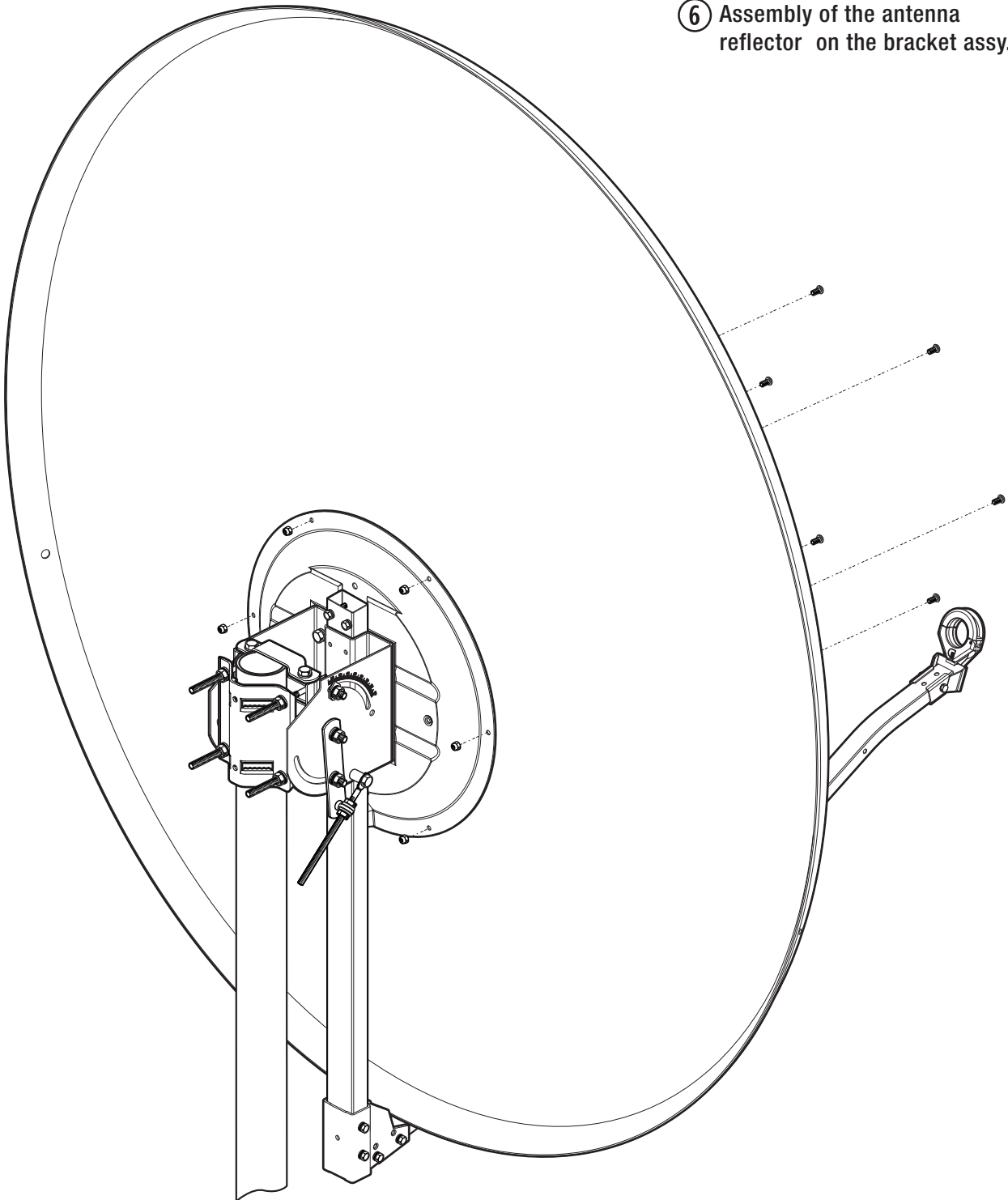
- ⑤ Assembly of arms and feed holder assy



ASSEMBLING STEPS

CE

- ⑥ Assembly of the antenna reflector on the bracket assy.



ASSEMBLING STEPS

CE

⑦ Assembly of side rods

