

Amplificatore di linea SAT wideband  
*Wideband SAT in line amplifier*

art. 15-785  
**WIDEBAND LIN 30**



# User Manual

Wideband Power Amplifier

Ref. 9654



## Amplificatore di linea SAT wideband

*Wideband SAT in line amplifier*

art. 15-785

**WIDEBAND LIN 30**

WIDEBAND POWER AMPLIFIER (REF. 9654)

## CONTENTS

<b>1. FEATURES</b> .....	<b>3</b>
<b>2. SAFETY INSTRUCTIONS</b> .....	<b>4</b>
<b>3. HOW TO MAKE YOUR CONNECTIONS</b> .....	<b>5</b>
<b>4. APPLICATION</b> .....	<b>6</b>
<b>5. TECHNICAL SPECIFICATIONS</b> .....	<b>7</b>
<b>6. CONDITIONS OF WARRANTY</b> .....	<b>8</b>

No part of this manual may be copied, reproduced, transmitted, transcribed or translated into any language without permission.

Unitron reserves the right to change the specifications of the hardware and software described in these manuals at any time.

Unitron cannot be held liable for any damages resulting from the use of this product. Specifications are subject to change without notice. 02/20.

© Unitron – Frankrijklaan 27 – B-8970 Poperinge – Belgium

T +32 57 33 33 63 F +32 57 33 45 24

email [sales@unitrongroup.com](mailto:sales@unitrongroup.com)

[www.unitrongroup.com](http://www.unitrongroup.com)



## Amplificatore di linea SAT wideband

*Wideband SAT in line amplifier*

art. 15-785

## WIDEBAND LIN 30

WIDEBAND POWER AMPLIFIER (REF. 9654)

### 1. FEATURES

This amplifier is designed for wideband applications where satellite frequencies are used from 290 MHz to 2340 MHz. These applications use only 2 coaxial lines: one for the horizontal and one for the vertical feed. This means the low band and the high band are combined in one signal.

This amplifier is compatible with wideband LNBS and has:

- 2 inputs and 2 outputs
- 30 dB gain
- 2 separate adjustments for gain: 15 dB
- 2 separate adjustments for slope: 15 dB
- 290 – 2340 MHz frequency range
- DC input for powering the trunk line amplifier & LNB.



**Amplificatore di linea SAT wideband***Wideband SAT in line amplifier*

art. 15-785

**WIDEBAND LIN 30**

WIDEBAND POWER AMPLIFIER (REF. 9654)

**2. SAFETY INSTRUCTIONS****Read these instructions carefully before connecting the unit**

The operating voltage is indicated on the adapter.

To prevent fire, short circuit or shock hazard:

- Do not expose the unit to rain or moisture,
- Install the unit in a dry location without infiltration or condensation of water,
- Do not expose it to dripping or splashing,
- Do not place objects filled with liquids, such as vases, on the apparatus,
- If any liquid should accidentally fall into the cabinet, disconnect the power plug.

To avoid any risk of overheating:

- Install the unit in a well aired location and keep a minimum distance of 15 cm around the apparatus for sufficient ventilation,
- Do not place any items such as newspapers, table-cloths, curtains on the unit that might cover the ventilation holes,
- The unit must not be exposed to any source of heat (sun, heater,...),
- Do not place any naked flame sources, such as lighted candles, on the apparatus,
- Do not install the product in a dusty place,
- Use the apparatus only in moderate climates (not in tropical climates),
- Respect the minimum and maximum temperature specifications.

To avoid any risk of electrical shocks:

- Connect apparatus only to socket with protective earth connection,
- The mains plug shall remain readily operable,
- Pull out power plug to make the different connections of cables,
- To avoid electrical shock, do not open the housing of adapter.

**Maintenance**

- ⚠ Only use a dry soft cloth to clean the cabinet,
- ⚠ Do not use solvent,
- ⚠ For repairing and servicing refer to qualified personnel.

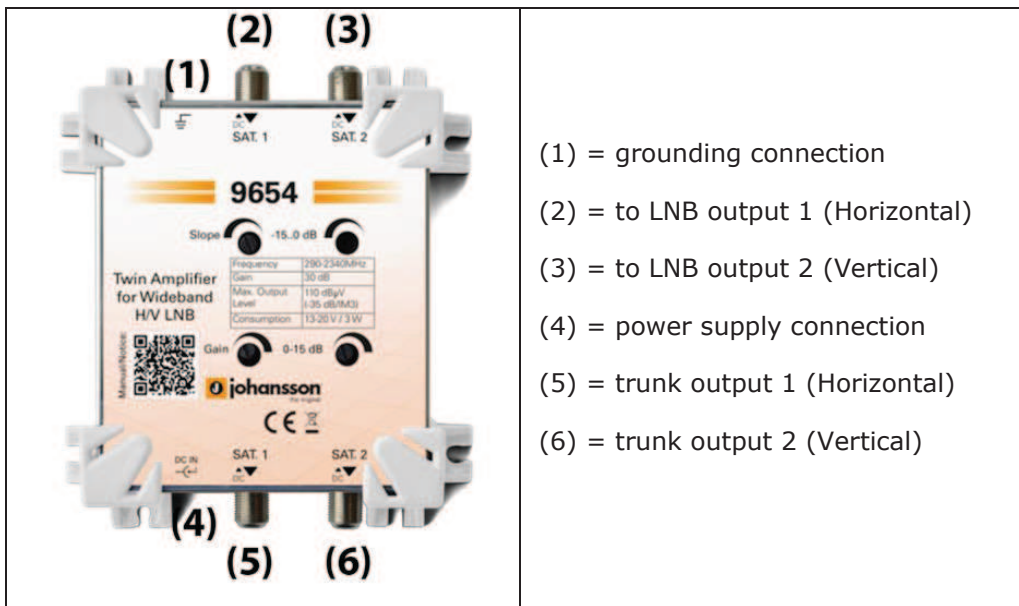
**Dispose according your local authority's recycling processes**

## Amplificatore di linea SAT wideband *Wideband SAT in line amplifier*

art. 15-785  
**WIDEBAND LIN 30**

WIDEBAND POWER AMPLIFIER (REF. 9654)

### 3. HOW TO MAKE YOUR CONNECTIONS



- (1) = grounding connection
- (2) = to LNB output 1 (Horizontal)
- (3) = to LNB output 2 (Vertical)
- (4) = power supply connection
- (5) = trunk output 1 (Horizontal)
- (6) = trunk output 2 (Vertical)

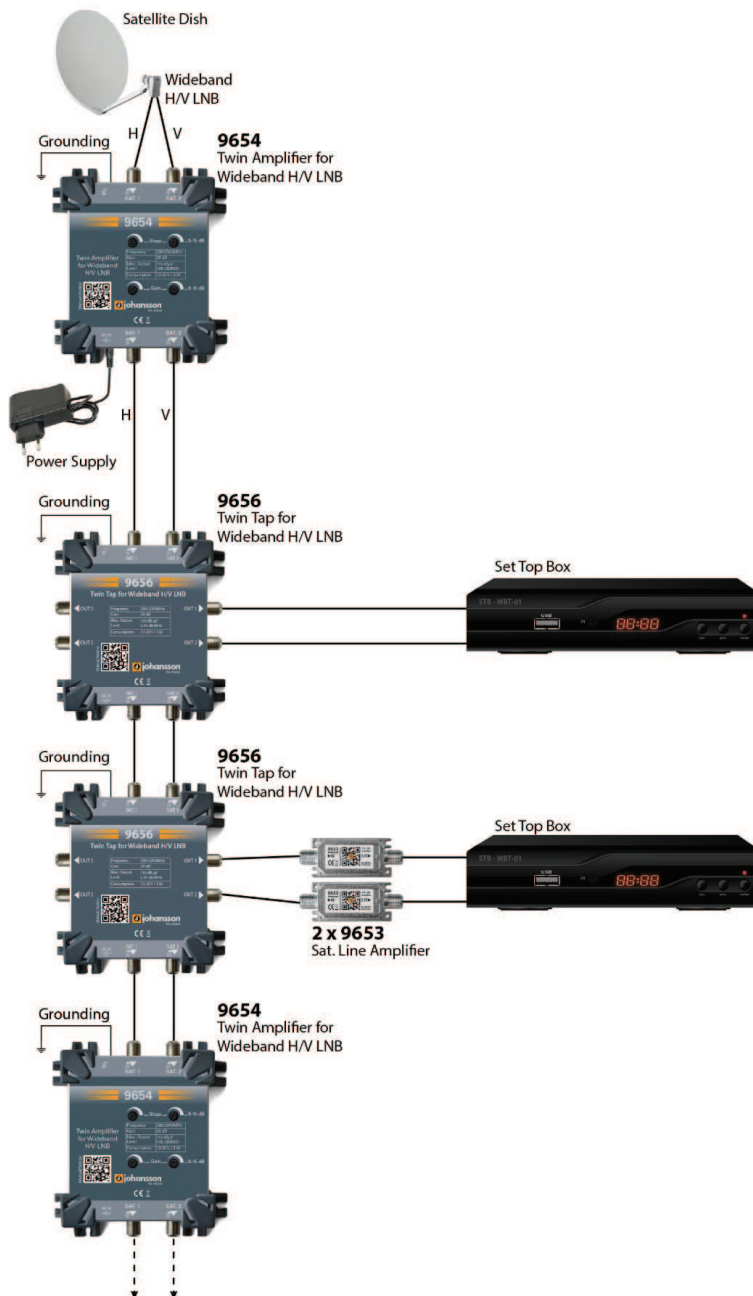


## Amplificatore di linea SAT wideband *Wideband SAT in line amplifier*

art. 15-785  
**WIDEBAND LIN 30**

WIDEBAND POWER AMPLIFIER (REF. 9654)

### 4. APPLICATION



## Amplificatore di linea SAT wideband

*Wideband SAT in line amplifier*

art. 15-785

**WIDEBAND LIN 30**

WIDEBAND POWER AMPLIFIER (REF. 9654)

## 5. TECHNICAL SPECIFICATIONS

### 9654 – Wide Band Power Amplifier

Inputs	-	2 SAT
Outputs	-	2 SAT
Frequency range	MHz	290-2340
Gain	dB	30
Noise figure	dB	5
Gain adjustment	dB	15
Slope adjustment	dB	15
Max. Output level	-	110 dB $\mu$ V (-35 dB/IM3)
Consumption	W	3
Dimensions	mm	177 x 133 x 51



**Amplificatore di linea SAT wideband***Wideband SAT in line amplifier*

art. 15-785

**WIDEBAND LIN 30**

WIDEBAND POWER AMPLIFIER (REF. 9654)

**6. CONDITIONS OF WARRANTY**

Unitron N.V. warrants the product as being free from defects in material and workmanship for a period of 24 months starting from the date of production indicated on it. See note below.

If during this period of warranty the product proves defective, under normal use, due to defective materials or workmanship, Unitron N.V., at its sole option, will repair or replace the product. Return the product to your local dealer for reparation

**THE WARRANTY IS APPLIED ONLY FOR DEFECTS IN MATERIAL AND WORKMANSHIP AND DOES NOT COVER DAMAGE RESULTING FROM:**

- Misuse or use of the product out of its specifications.
- Installation or use in a manner inconsistent with the technical or safety standards in force in the country where the product is used
- Use of non-suitable accessories (power supply, adapters...).
- Installation in a defect system.
- External cause beyond the control of Unitron N.V. such as drop, accidents, lightning, water, fire, improper ventilation...

**THE WARRANTY IS NOT APPLIED IF**

- Production date or serial number on the product is illegible, altered, deleted or removed.
- The product has been opened or repaired by a non-authorized person.

## NOTE

Date of production is YYWW format, example 1621 = year 2016 – week 21.  
For the serial number barcodes, the date corresponds to the 4 first numbers.

[www.unitrongroup.com](http://www.unitrongroup.com)

**UNITRON NV**  
Frankrijklaan 27  
B-8970 Poperinge  
Belgium

T +32 57 33 33 63  
F +32 57 33 45 24

[sales@unitrongroup.com](mailto:sales@unitrongroup.com)  
[www.unitrongroup.com](http://www.unitrongroup.com)

